

GS130

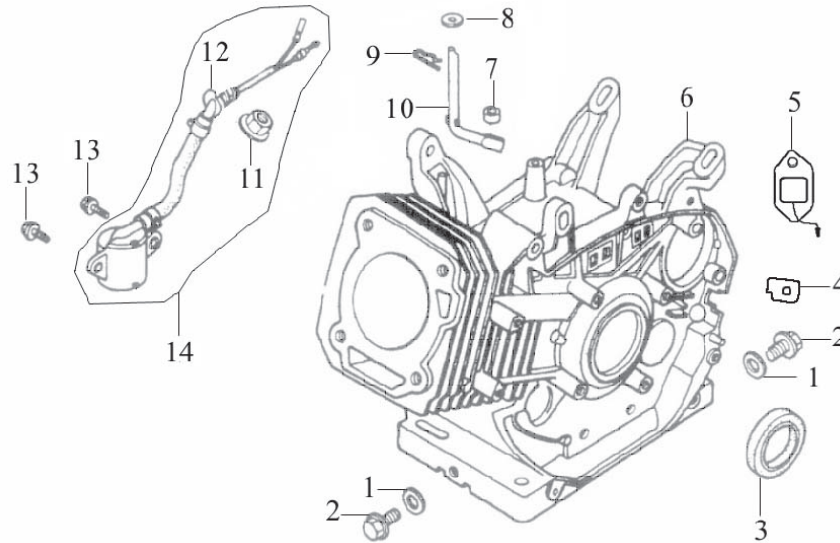
Parts Manual and Diagram



CONTENTS

E-1	CRANKCASE ASSY	1
E-2	CRANKCASE COVER ASSY	2
E-3	CYLINDER HEAD & CYLINDER HEAD COVER ASSY	4
E-4	CRANKSHAFT, PISTON, CONNECTING & BALANCING SHAFT	6
E-5	COMBINATION OF CAM SHAFT & VALVE ROCKER	8
E-6	CARBURETOR ASSY	10
E-7	FUEL TANK ASSY	12
E-8	AIR CLEANER ASSY	13
E-9	MUFFLER	14
E-10	RECOIL STARTER	15
E-11	REGULATING CONTROL SYSTEM)	17
E-12	FLYWHEEL	19
E-13	IGNITION COIL	20

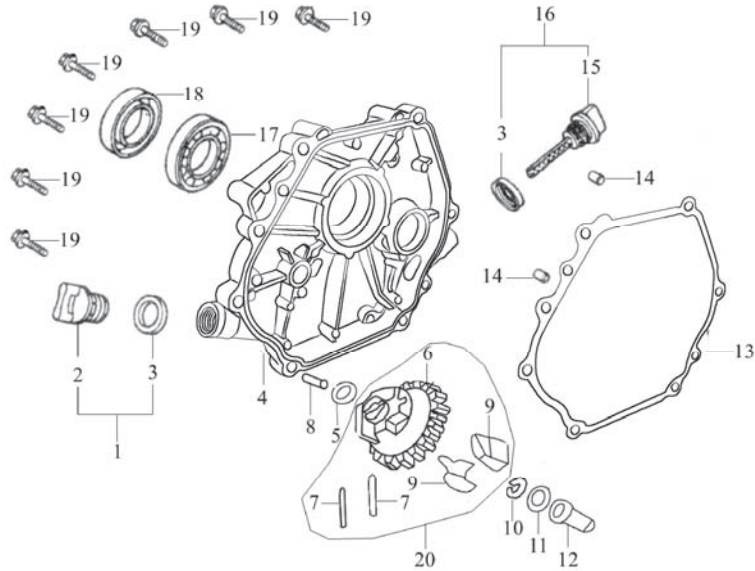
E-1 CRANKCASE ASSY



S/N	Part No.	Description	Quantity	Remark
1	11213/173F	Washer	2	
2	11212/173F	Drain plug	2	
3	13180/182F	Oil seal, crankshaft	1	
4	11124/173F	Seal	1	
5	37850/168F	Diode	1	
6	11100	Crankcase	1	
7	26390/173F	Oil seal, regulating sway bar	1	
8	26329/173F	Washer	2	
9	26321/173F	Split pin	1	
10	26311/182F	Regulating sway bar	1	
11	GB6177-86	Nut M10	1	
12	GB3452.1-92	O-ring	1	
13	GB5787-86	Bolt M6 × 14	2	
14	37810/173F	Oil sensor	1	

E-2

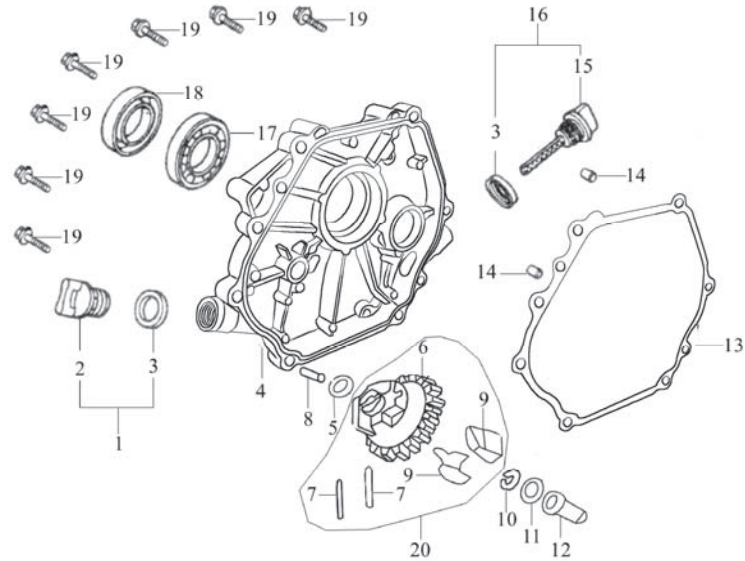
CRANKCASE COVER ASSY



S/N	Part No.	Description	Quantity	Remark
1	15650/173F	Oil plug with Seal	1	
2	15651/173F	Oil plug	1	
3	15612/173F	Seal	1	
4	11311/182F	Crankcase cover	1	
5	25165/173F	Washer, driven gear	1	
6	25121/182F	Driven gear, regulator	1	
7	25163/173F	Pin	2	
8	25151/173F	Regulating shaft	1	
9	25141/182F	Flying block	2	
10	25164/173F	Snap ring	1	
11	25132/168F	Washer	2	
12	25131/173F	Sliding sleeve	1	

E-2

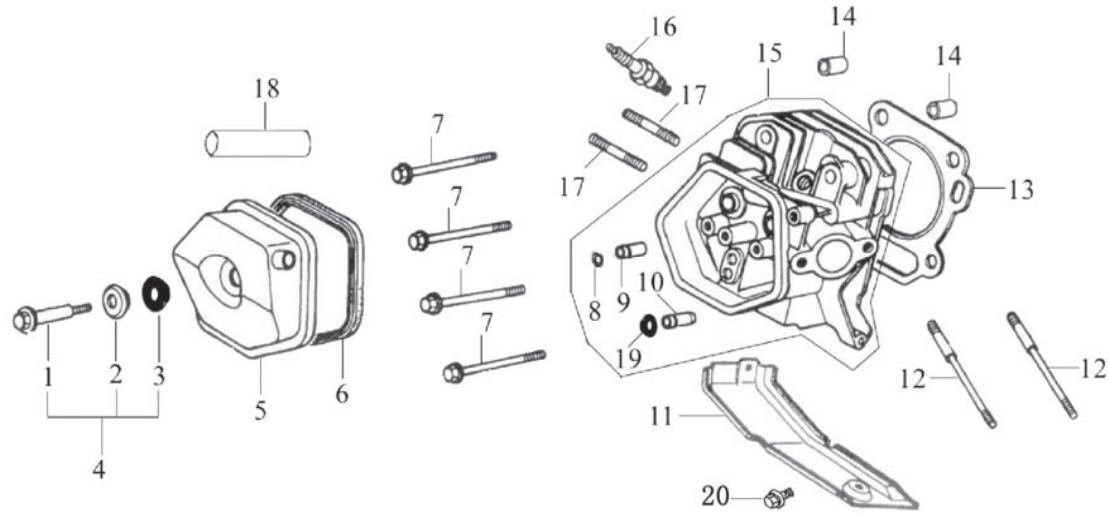
CRANKCASE COVER ASSY



S/N	Part No.	Description	Quantity	Remark
13	11119/182F	Gasket, crankcase	1	
14	11118/173F	Set pin $\Phi 8 \times 12$	2	
15	15611/173F	Dipstick	1	
16	15610/173F	Dipstick with seal	1	
17	GB276-89	Bearing 6206	1	
18	13180/182F	Oil seal, crankshaft	1	
19	GB5787-86	Bolt $M8 \times 40$	7	
20	25120/182F	Driven gear, regulator assy	1	

E-3

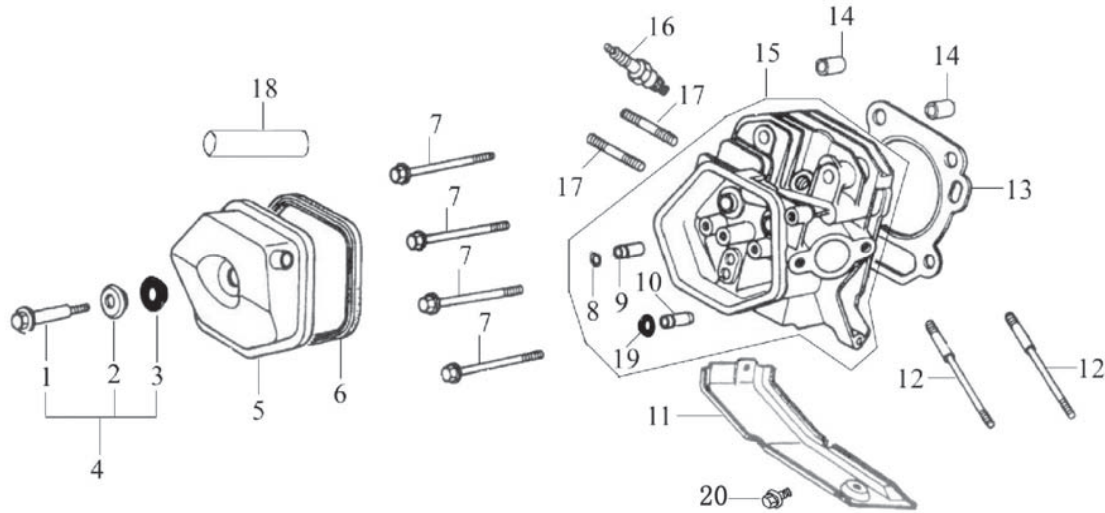
CYLINDER HEAD & CYLINDER HEAD COVER ASSY



S/N	Part No.	Description	Quantity	Remark
1	12411/173F	Bolt	1	
2	12412/173F	Washer	1	
3	12421/173F	Rubber seal	1	
4	12410/173F	Bolt	1	
5	12310/173F	Cylinder head cover Assy	1	
6	12312/173F	Gasket, cylinder head cover	1	
7	12256/173F	Bolt	4	
8	12219/173F	Circlip	1	
9	12215/173F	Exhaust valve guide	1	
10	12214/173F	Intake valve guide	1	
11	19721/182F	Lead wind cover	1	
12	12252/182F	Stud M6×M8×134.5	2	
13	12220	Gasket, cylinder head	1	
14	12218/173F	Set pin	2	

E-3

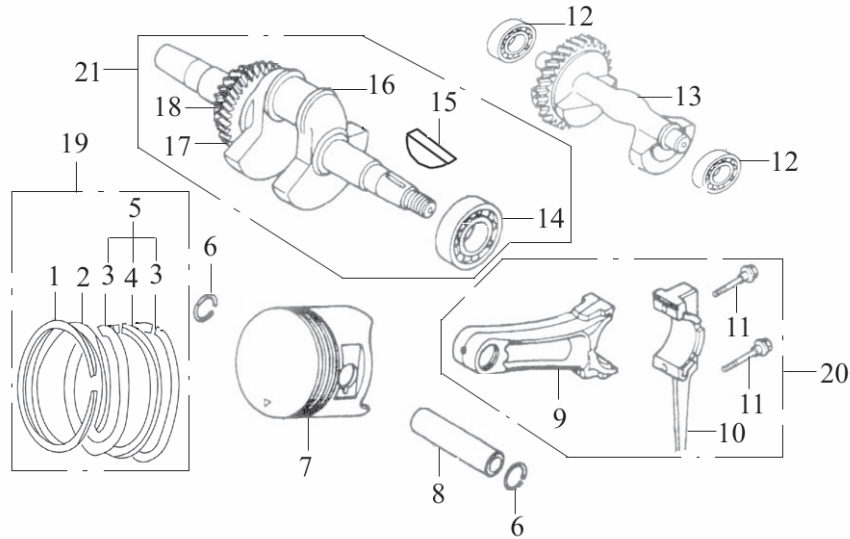
CYLINDER HEAD & CYLINDER HEAD COVER ASSY



S/N	Part No.	Description	Quantity	Remark
15	12210/182F	Cylinder head Assy	1	
16	34200/173F	Spark plug F7RTC	1	
17	12253/173F	Stud M8×48.5	2	
18	20651/173F	Air duck	1	
19	14730/173F	Seal	1	
20	GB5787-86	Bolt M6×12	1	

E-4

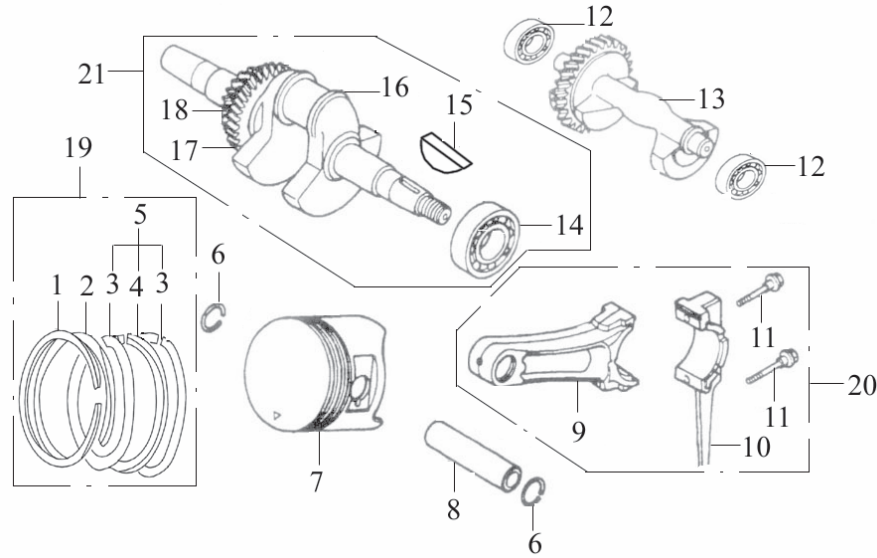
CRANKSHAFT, PISTON, CONNECTING & BALANCING SHAFT



S/N	Part No.	Description	Quantity	Remark
1	13311	Piston ring (I)	1	
2	13312	Piston ring (II)	1	
3	13322	Side rail	2	
4	13321	Expander	1	
5	13320	Scraper ring set	1	
6	13222/182F	Piston pin circlip	2	
7	13211	Piston	1	
8	13221	Piston pin	1	
9	13131/182F	Shank	1	
10	13132/182F	Connecting rod cover	1	
11	13133/173F	Bolt	2	
12	GB276-89	Bearing 6202	2	
13	13611/182F	Balancing shaft	1	
14	GB276-89	Bearing 6207	1	

E-4

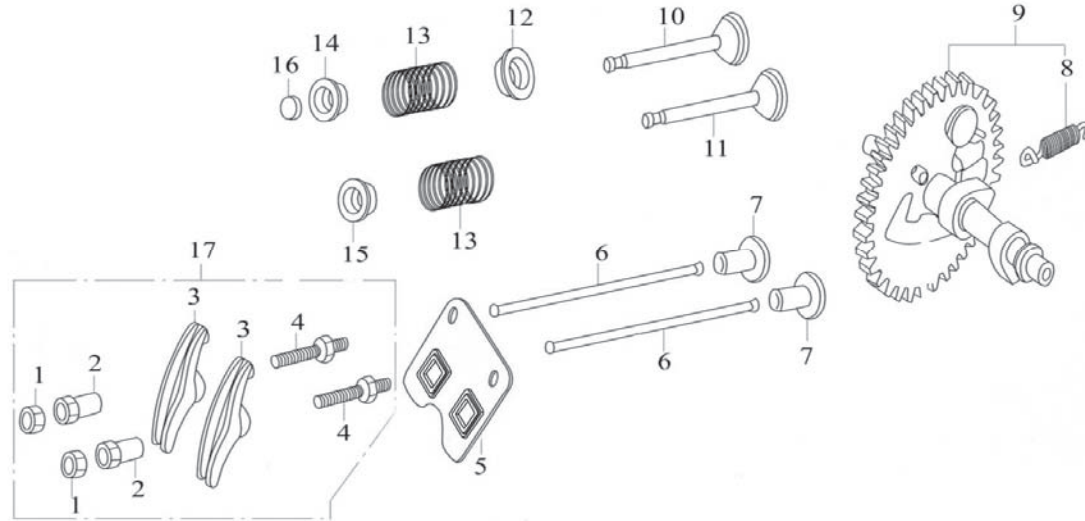
CRANKSHAFT, PISTON, CONNECTING & BALANCING SHAFT



S/N	Part No.	Description	Quantity	Remark
15	13118/173F	Wood ruff key	1	
16	13111/182F	Crankshaft	1	
17	25111/182F	Drive gear	1	
18	14211/182F	Timing driving gear	1	
19	13300	Piston ring set	1	
20	13130/182F	Connecting rod assy	1	
21	13110/182F	Crankshaft assy	1	

E-5

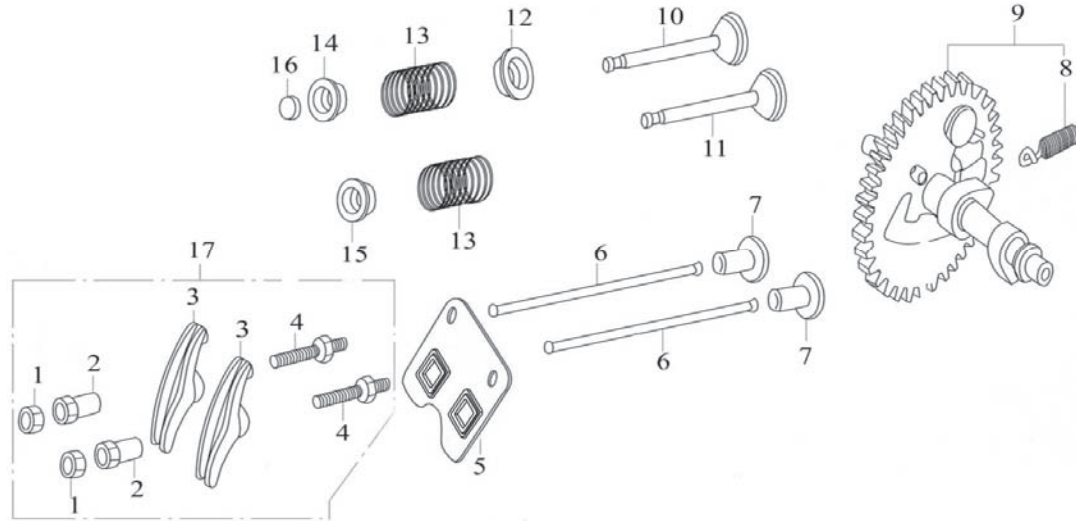
COMBINATION OF CAM SHAFT & VALVE ROCKER



S/N	Part No.	Description	Quantity	Remark
1	14416/173F	Lock nut	2	
2	14413/173F	Sleeve	2	
3	14411/173F	Valve rocker	2	
4	14415/173F	Adjusting bolt for valve gap	2	
5	14260/173F	Pusher guide	1	
6	14250/182F	Pusher	2	
7	14455/173F	Tappet	2	
8	14146/173F	Extension spring	1	
9	14100	Camshaft assy	1	
10	14721/182F	Exhaust valve	1	
11	14711/182F	Intake valve	1	
12	14753/173F	Spring retainer, exhaust valve	1	
13	14755/173F	Valve spring	2	
14	14757/173F	Spring seat, exhaust valve	1	

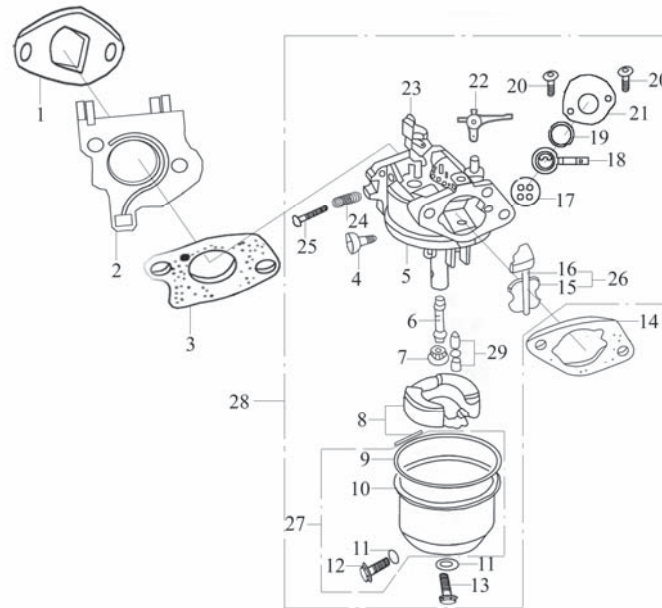
E-5

COMBINATION OF CAM SHAFT & VALVE ROCKER



S/N	Part No.	Description	Quantity	Remark
15	14751 /173F	Spring seat, intake valve	1	
16	14758 /173F	Cap	1	
17	14410 /173F	Valve rocker assy	1	
			2	

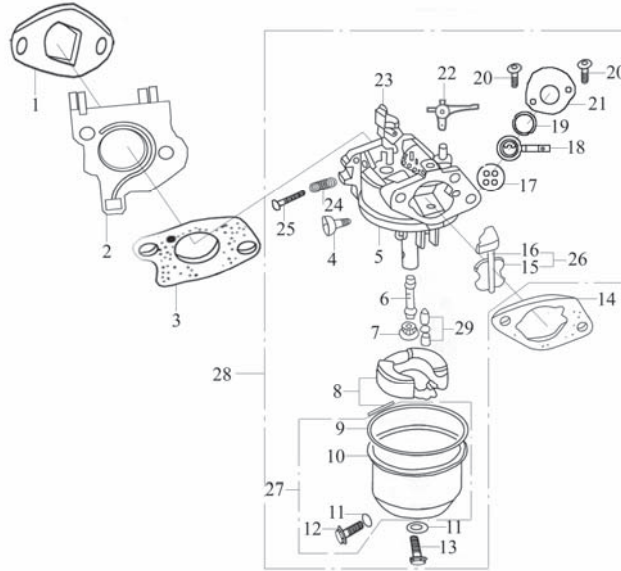
E-6 CARBURETOR ASSY



S/N	Part No.	Description	Quantity	Remark
1	12254/182F	Inlet gasket	1	
2	16141	Connecting block	1	
3	16142	Carburetor gasket	1	
4	16421/168F	Idle adjustment screw	1	
5	16250	Mixture chamber body	1	
6	16251	Main nozzle	1	
7	16254	Main jet	1	
8	16230/182F	Float	1	
9	16219/173F	Float chamber gasket	1	
10	16211/173F	Float chamber	1	
11	16216/168F	Washer	2	
12	16215/168F	Float chamber drain Screw	1	
13	16213/168F	Screw	1	
14	17330/173F	Air cleaner gasket	1	

E-6

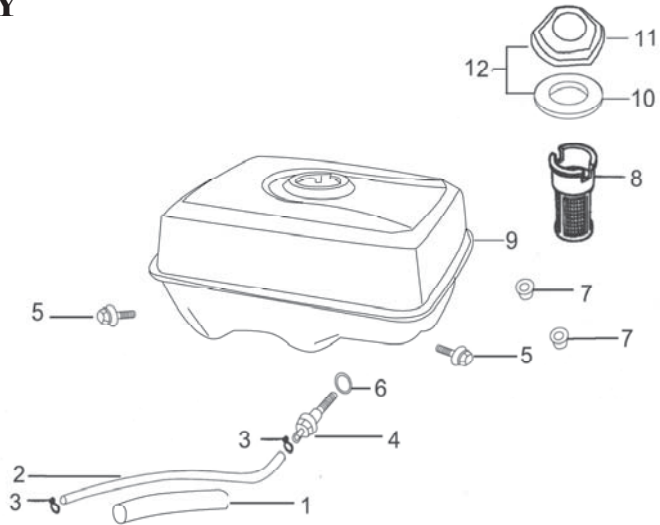
CARBURETOR ASSY



S/N	Part No.	Description	Quantity	Remark
15	16331/173F	Choke	1	
16	16332/173F	Choke stem	1	
17	16312/168F	Airproof washer	1	
18	16311/168F	Throttle lever	1	
19	16313/168F	Washer	1	
20	GB5787-86	Screw M4	2	
21	16314/168F	Cover	1	
22	16148/173F	Choke switch	1	
23	16280	Throttle unit	1	
24	16422/168F	Spring, mixture adjustment screw	1	
25	16425/168F	Mixture adjustment screw	1	
26	16330/173F	Choke unit	1	
27	16210/173F	Float chamber	1	
28	16100	Carburetor Assy	1	
29	16240/182F	Float needle	1	

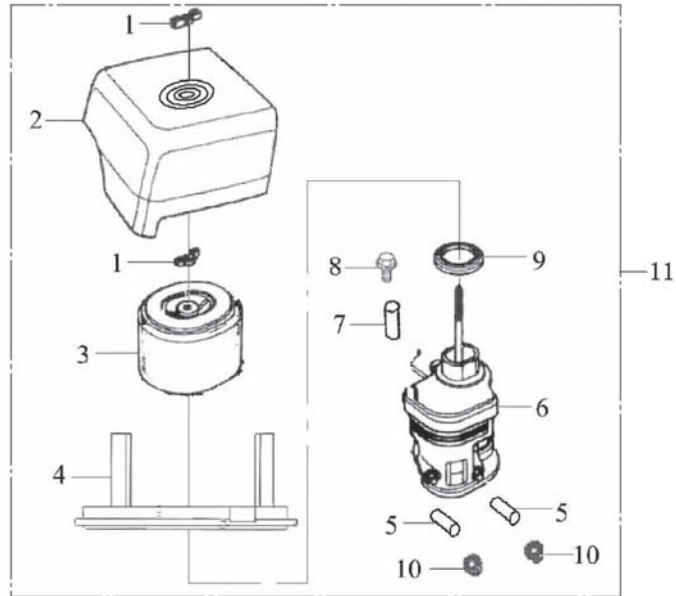
E-7

FUEL TANK ASSY



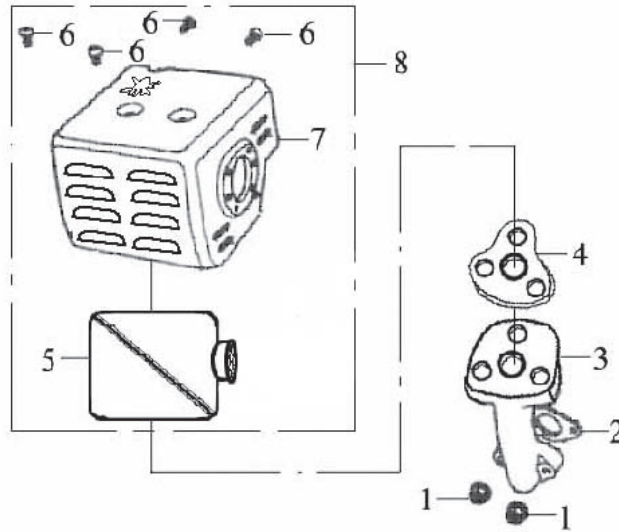
S/N	Part No.	Description	Quantity	Remark
1	16932/173F	Pipe	1	
2	16931/173F	Outlet pipe	1	
3	16937/168F	Pipe clamp	2	
4	16950/168F	Connector	1	
5	GB5787-86	Bolt M8× 25	2	
6	16961/168F	Packing ring	1	
7	GB6177-86	Nut M8	2	
8	16610/182F	Fuel tank	1	
9	16916/168F	Filter cup	1	
10	16521/168F	Packing ring	1	
11	16510/168F	Fuel filler cap	1	
12	16500/168F	Fuel filler cap with packing ring	1	

E-8

AIR CLEANER ASSY

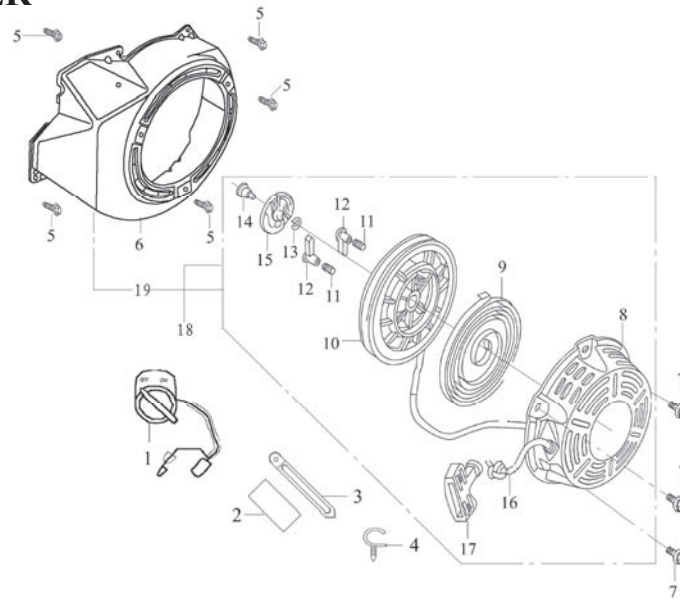
S/N	Part No	Description	Quantity	Remark
1	GB62-88	Wing nut	2	
2	17111/182F	Air cleaner cover	1	
3	17130/182F	Filter element	1	
4	17141/182F	Air cleaner base	1	
5	17126/173F	Sleeve A	1	
6	17131/173F	Air cleaner housing	1	
7	17146/173F	Sleeve B	1	
8	GB5787-86	Bolt M6×22	1	
9	17125/173F	Washer	1	
10	GB6170-86	Nut M6	2	
11	17100/182F	Air cleaner assy	1	

E-9 MUFFLER



S/N	Part No	Description	Quantity	Remark
1	GB6170-86	Nut M8	5	
2	12255/173F	Exhaust pipe gasket	1	
3	18111/173F	Exhaust pipe	1	
4	18221/173F	Muffler gasket	1	
5	18300/182F	Muffler	1	
6	GB5787-86	Screw M5×8	4	
7	18600/182F	Muffler hood assy	1	
8	18100/182F	Muffler assy	1	

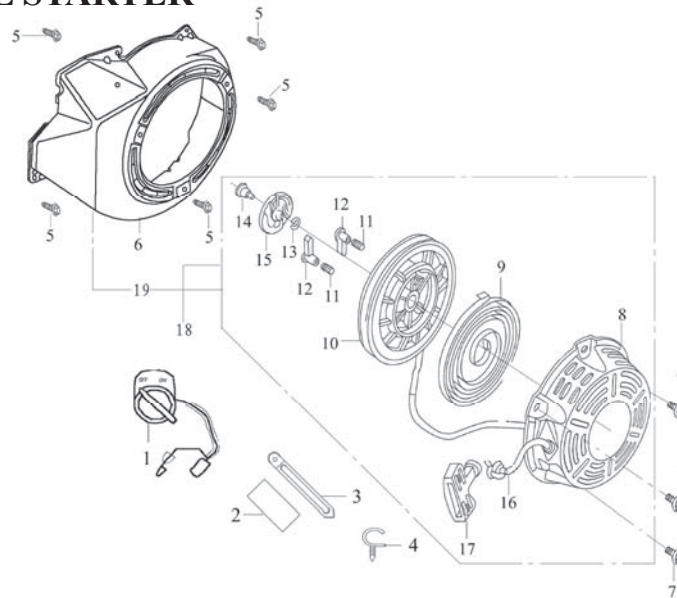
E-10

RECOIL STARTER

S/N	Part No	Description	Quantity	Remark
1	35410/168F	Engine switch	1	
2	32412/173F	Wire grommet	1	
3	32413/173F	Clip	1	
4	16146/173F	Plastic clip	1	
5	GB5787-86	Bolt M6×12	5	
6	19710/182F	Fan hood assy	1	
7	GB5787-86	Bolt M6×8	3	
8	27380/182F	Casing	1	
9	27319/182F	Spiral spring	1	
10	27351/182F	Starter rolls	1	
11	27312/173F	Ratchet spring	2	
12	27331/173F	Ratchet	2	
13	27311/173F	Friction spring	1	
14	27315/173F	Set screw	1	

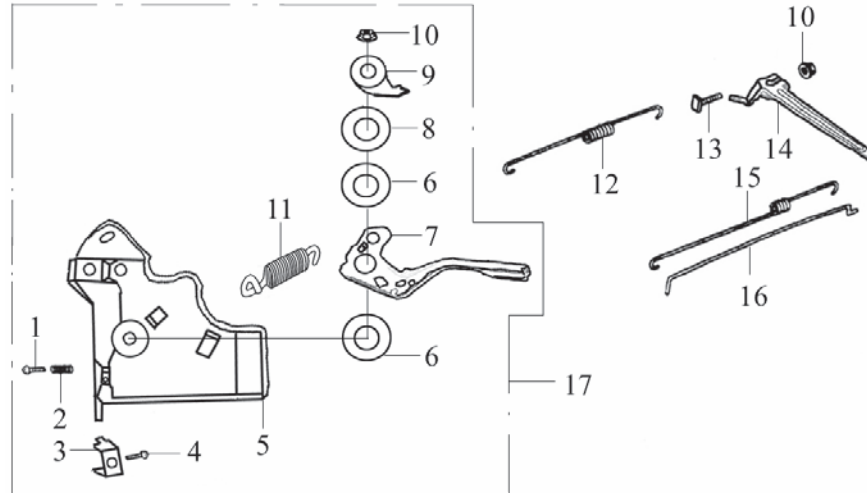
E-10

RECOIL STARTER



S/N	Part No	Description	Quantity	Remark
15	27341/173F	Spring lid	1	
16	27313/168F	Rope	1	
17	27361/168F	Pulling handle	1	
18	27300/182F	Recoil starter	1	
19	27100/182F	Recoil starter assy	1	

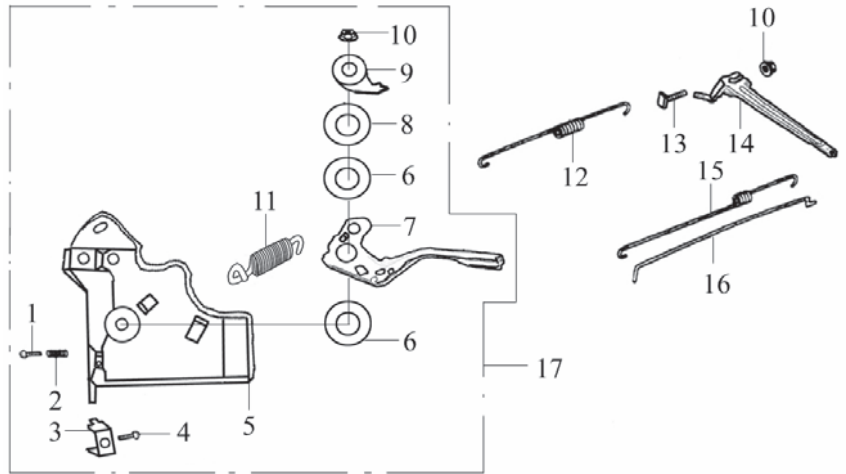
E-11

REGULATING CONTROL SYSTEM

S/N	Part No	Description	Quantity	Remark
1	GB818-85-H	Bolt M5×35	1	
2	26415/173F	Regulating spring	1	
3	26422/173F	Clamp	1	
4	GB5787-86	Bolt M6×12	1	
5	26421/182F	Support panel	1	
6	26419/173F	Washer	2	
7	26412/182F	Handgrip	1	
8	26418/173F	Spring patch	1	
9	26414/173F	Setting panel	1	
10	GB6177-86	Nut M6	2	
11	26416/173F	Spring	1	
12	26363/182F	Back spring	1	
13	26362/168F	Lock bolt	1	
14	26331/182F	Regulating arm	1	

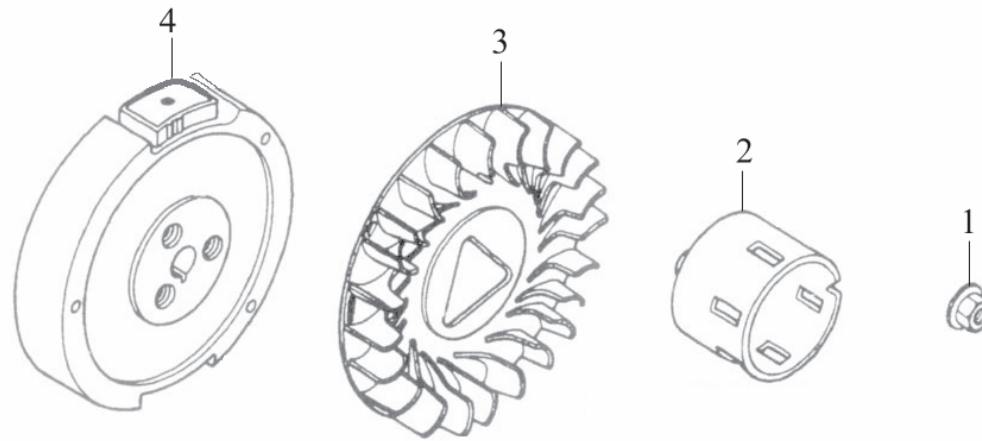
E-11

REGULATING CONTROL SYSTEM



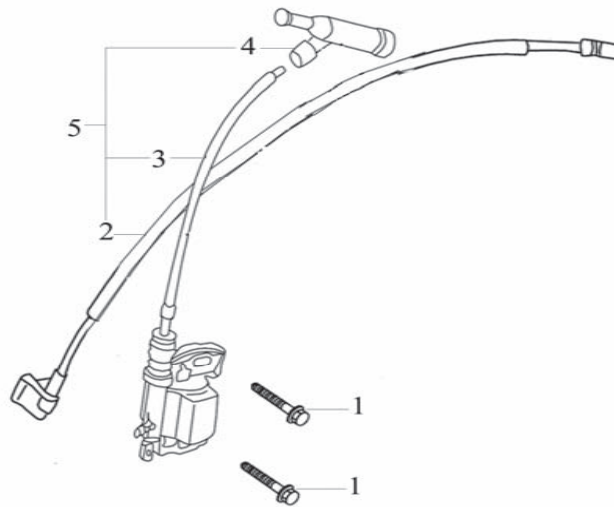
S/N	Part No	Description	Quantity	Remark
15	26364/182F	Fine regutaling spring	1	
16	26341/182F	Pulling rod	1	
17	26410/182F	Regulating frame assy	1	

E-12

FLYWHEEL

S/N	Part No	Description	Quantity	Remark
1	27515/173F	Nut M16×1.5	1	
2	27370/182F	Starting flange	1	
3	19722/182F	Flywheel fan	1	
4	27500/182F	Flywheel	1	

E-13 IGNITION COIL



S/N	Part No	Description	Quantity	Remark
1	GB5787-86	Screw M6 × 30	2	
2	34410/182F	Engine stop cable	1	
3	34510/182F	Ignition coil	1	
4	34310/173F	Spark plug cap	1	
5	34500/182F	Ignition coil assy	1	



1-877-270-7772
6226 Danville Road
Mississauga, ON, L5T 2H7