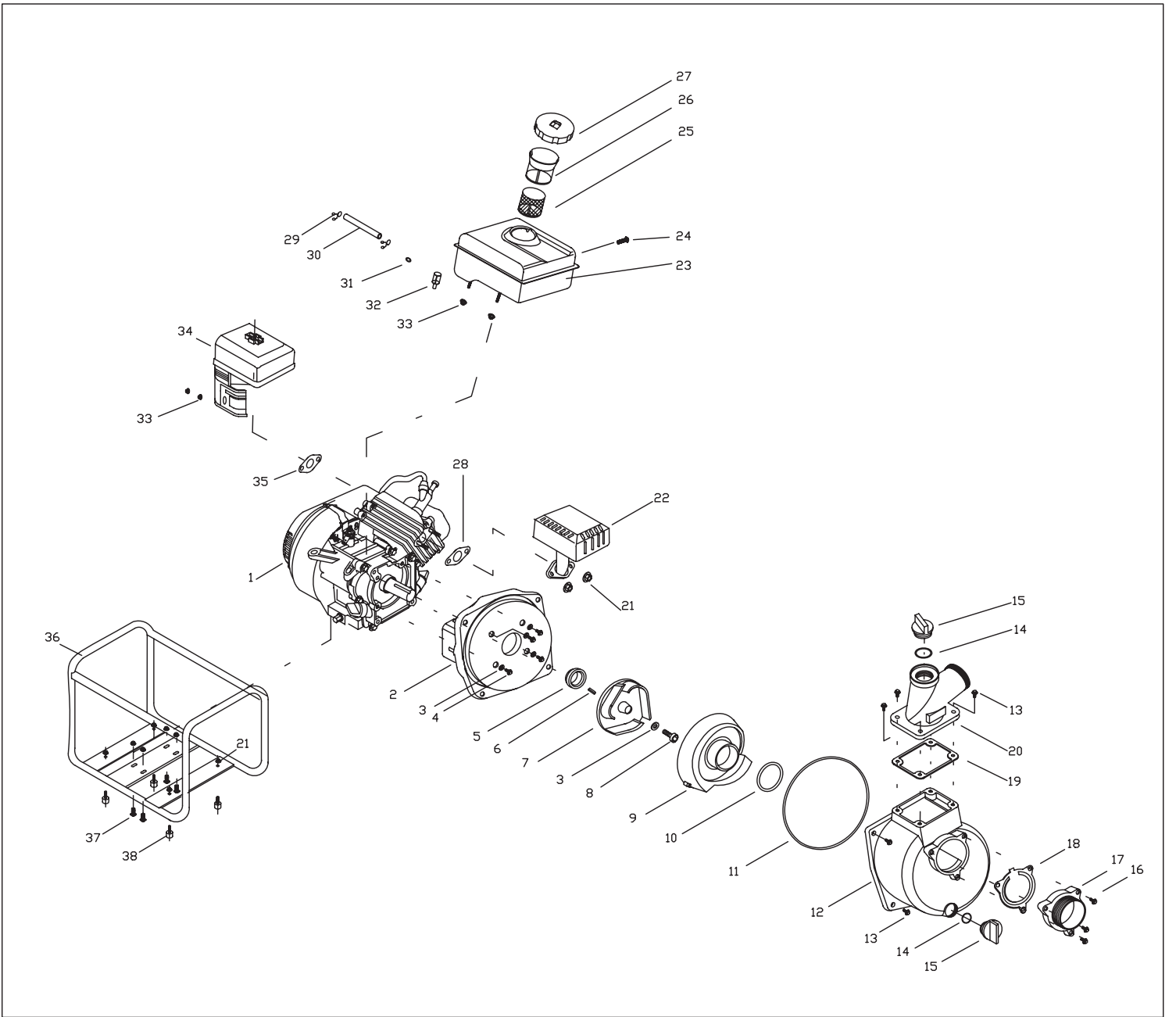


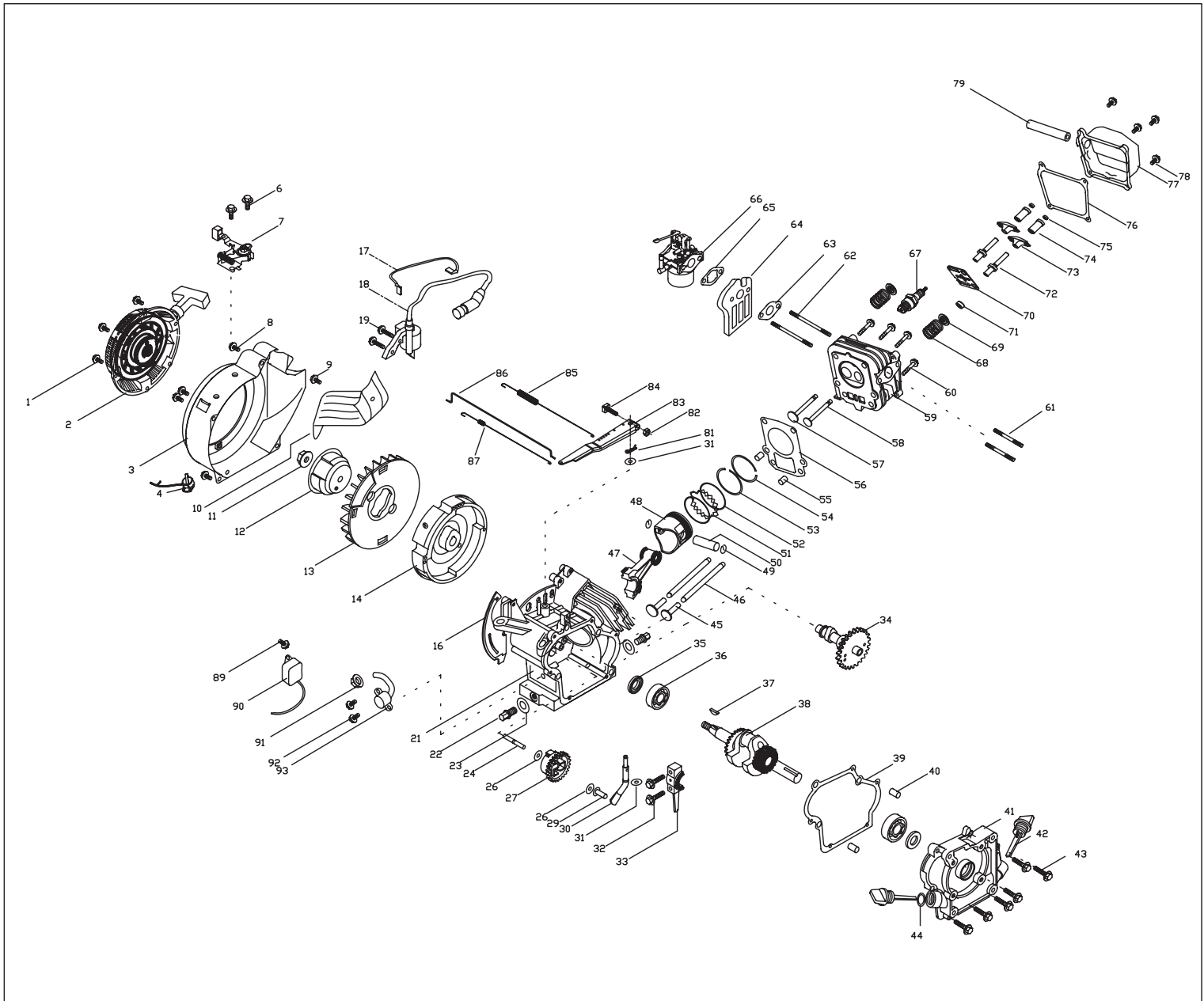
GS30P

Parts Manual and Diagram





NO.	Parts number	Parts name	amount
1	WD168FB-2	Engine	1
2	WDB80-1	Pump base	1
3	B1030014	Plastic flat gasket	5
4	GB70-85	Socket head scrw M8×60	4
5	B1030200	Water seal	1
6	GB/T 1096-2003	Bond A4.78*20	1
7	WDB80-3	Impeller	1
8	WDB50A.3	Bolt 5/16''-24UNF*25	1
9	WDB80-4	Worm cover	1
10	WDB80-12	"O" sealed ring $\phi 6 \times \phi 74$	1
11	WDB80-13	"O" sealed ring $\phi 3.5 \times \phi 220$	1
12	WDB80-2	Pump bady	1
13	GB/T5787-86	Hexagon flange bolt M10×25	4
14	B1030016	"O" sealed ring $\phi 3 \times \phi 25$	2
15	B1030005	Stopple	2
16	GB/T5787-86	Hexagon flange bolt M10×25	7
17	WDB80-5	Inlet connector	1
18	WDB80-7	Rubber valve	1
19	WDB80-8	Rubber gasket of outlet elbow	1
20	WDB80-6	Outlet elbow	1
21	GB6177-86	Flange locked nut M8	10
22	WD168FB.15	Muffler	1
23	WD168FB.16.1	Fuel tank	1
24	GB/T5787-86	Hexagon flange bolt M6×30	1
25	WD168FB.16.4	Fuel tank filter	1
26	WD168FB.16.5	Filter cage	1
27	WD168FB.16.2	Fuel tank cap	1
28	WD168F-16	Muffler Gasket	1
29	WD168FB.16-2	Oil pipe hoop	2
30	WD168FB.16-1	Oil pipe	1
31	GB1235-76	"O" sealed ring $\phi 6.7 \times 1.9$	1
32	WD168FB.16.5	Zerk	1
33	GB/T6183.1-2000	Flange locked nut M6	4
34	WD168FB.11	Air filter	1
35	WD168F-9	Air filter Gasket	1
36	WDB80.1	Farme	1
37	GB/T5787-86	Hexagon flange bolt M8×35	4
38	WDF2500.8	Gasket for decreasing vibration	4



NO.	Parts number	Parts name	amount
1	GB/T5787-86	Flange bolt M6 × 10	3
2	WD168F. 14	Recoil starter assembly	1
3	WD168F. 13. 1	Shroud comp	1
4	WD168FB. 13. 2	Starter switch	1
5			
6	GB/T5787-86	Flange bolt M6 × 8	2
7	WD168FB. 9	Governor arm assembly	1
8	GB/T5787-86	Flange bolt M6 × 12	4
9	GB/T5787-86	Flange bolt M6 × 12	2
10	WD168F-11	Weatherboard	1
11	GB6177-86	Flange nut M14 × 1.5	1
12	168F-15	Passiveness board	1
13	168F-14	Cooling fan	1
14	WD168F. 12. 1	Flywheel	1
15			
16	168F-10	Wind screen	1
17	WD168F. 12. 3	Flameout wire	1
18	WD168F. 12. 2	Portfire	1
19	GB/T5787-86	Flange bolt M6 × 25	2
20			
21	WD168FB. 3-1	Crankcase body	1
22	GB/T5787-86	Flange bolt M10 × 15	2
23	WD168F. 3-3	Gasket	2
24	WD168F. 9-1	Change gear shaft	1
25			
26	WD168F. 9. 1-4	Change gear gasket	2
27	WD168F. 9. 1	Change gear assembly	1
28			
29	WD168F. 9-2	Governor slider	1
30	WD168F. 9-3	Governor arm shaft	1
31	WD168F. 9-11	Governor arm shaft	2
32	GB/T5787-86	Flange bolt	2
33	WD168F. 2. 1-2	Connecting rod cover	1
34	WD168F. 5	Comshaft assy assembly	1
35	GB/T9877. 1-88	Oil seal 25 × 42 × 6	2

NO.	Parts number	Parts name	amount
36	GB/T276-94	Radial ball bearing 6205	2
37	GB1098-79	Woodruff key 4 × 5.5 × 12.5	1
38	WB168FB.1	Crankshaft comp assembly	1
39	WD168FB-1	Case cover packing	1
40	WD168F-2	Dowel pin	2
41	WD168F.4-1	Crankcase cover assy	1
42	WD168F.4-3	Oil filler cap assy	2
43	GB/T5787-86	Flange bolt M8 × 32	6
44	WD168F.4-4	O ring	2
45	WD168F.7-12	Valve lifter	2
46	WD168F.7-11	Push rod	2
47	WD168F.2.1-1	Connecting rod assy	1
48	WD168F.2.2-1	Piston	1
49	WD168F.2.2-2	Piston pivot clip	2
50	WD168F.2-1	Piston pivot	1
51	WD168F.2.2.1-2	Piston spring ring	1
52	WD168F.2.2.1-1	Piston scrape ring	2
53	WD168F.2.2-4	Second ring set	1
54	WD168F.2.2-3	First ring set	1
55	168F-4	Dowel pin	2
56	168F-3	Cylinder head gasket	1
57	WD168F.7-2	Exhaust valve	1
58	WD168F.7-1	Intake valve	1
59	WD168F.6-1	Cylinder head comp	1
60	GB/T5787-86	Flange bolt M8 × 60	4
61	GB901-88	Stud bolt M8 × 32	2
62	GB901-88	Stud bolt M6x100	2
63	WD168F-8	Heat shield washer	1
64	WD168F-7	Heat shield	1
65	WD168F-6	Carburetor assy washer	1
66	WD168FB.10	Carburetor assy	1
67	WD168F-17	Spark plug	1
68	WD168F.7-4	valve spring	2
69	WD168F.7-6	valve spring retainer	2
70	WD168F.7-8	Push rod limit board	1

NO.	Parts number	Parts name	amount
71	WD168F. 7-6	Exhaust valve cover	1
72	WD168F. 7-3	Stud bolt	2
73	WD168F. 7-9	Valve rocker arm	2
74	WD168F. 7-10	Pivot adjusting nut	2
75	GB/T6171-2000	nut M6	2
76	WD168F-5	Head cover washer	1
77	WD168F. 8	Head cover	1
78	GB/T5787-86	Flange bolt M6 × 12	4
79	WD168FB-13	Breather tube	1
80			
81	WD168F. 9-4	Cotter	1
82	GB/T6171-2000	nut M6	1
83	WD168F. 9-6	Governor arm	1
84	WD168F. 9-9	Nut	1
85	WD168F. 9-5	Governor spring	1
86	WD168F. 9-7	Accelerograph rocker	1
87	WD168F. 9-8	Accelerograph pull spring	1
88			
89	GB/T5787-86	Flange bolt M6 × 10	1
90	WD168F. 14. 2	Linker assembly	1
91	GB/T6171-2000	nut M10	1
92	GB/T5787-86	Flange bolt M6 × 12	2
93	WD168F. 14. 1	Low oil alarm	1
94			



1-877-270-7772
6226 Danville Road
Mississauga, ON, L5T 2H7