

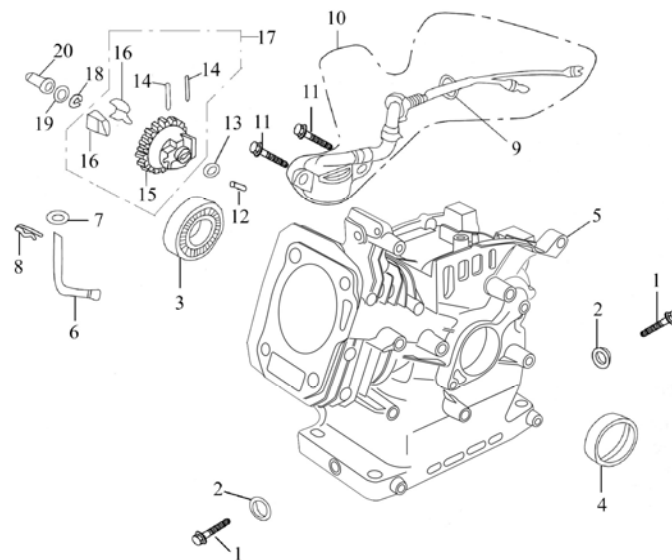
GS65

Parts Manual and Diagram

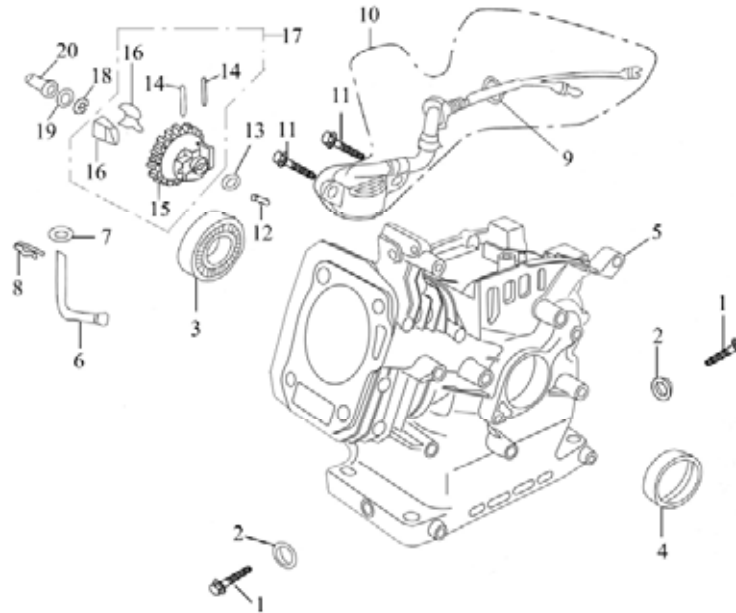


E-1	CRANKCASE ASSY	1
E-2	CRANKCASE COVER ASSY	3
E-3	CYLINDER HEAD & CYLINDER HEAD COVER ASSY	4
E-4	CRANKSHAFT, PISTON & CONNECTING	5
E-5	COMBINATION OF CAM SHAFT & VALVE ROCKER	7
E-6	CARBURETOR ASSY	9
E-7	FUEL TANK ASSY	11
E-8	AIR CLEANER ASSY	12
E-9	MUFFLER	13
E-10	RECOIL STARTER	14
E-11	REGULATING CONTROL SYSTEM	16
E-12	FLYWHEEL	18
E-13	IGNITION COIL	19

CRANKCASE ASSY



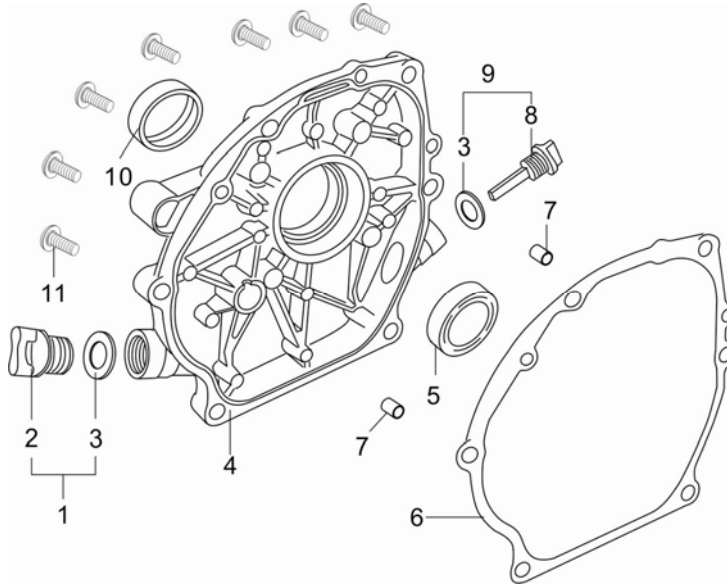
S/N	Part No.	Description	Quantity	Remark
1	11212/168F	Drain plug	2	
2	11213/168F	Washer	2	
3	GB276-89	Bearing 6205	1	
4	13180/168F	Oil seal, crankshaft	1	
5	11100	Crankcase	1	
6	26311/168F	Regulating sway bar	1	
7	26329/168F	Washer	2	
8	26321/168F	Split pin	1	
9	GB6177-86	Nut M10	1	
10	37810/168F	Oil sensor	1	
11	GB5787-86	Bolt M6×14	2	
12	25151/168F	Regulating shaft	1	
13	25165/168F	Washer, driven gear	1	
14	25163/168F	Pin	2	

E-1**CRANKCASE ASSY**

S/N	Part No.	Description	Quantity	Remark
15	25121/168F	Driven gear, regulator	1	
16	25141	Flying block	2	
17	25120	Driven gear assy, regulator	1	
18	25164	Snap ring	1	
19	25132/168F	Washer	2	
20	25131/168F	Sliding sleeve	1	

E-2

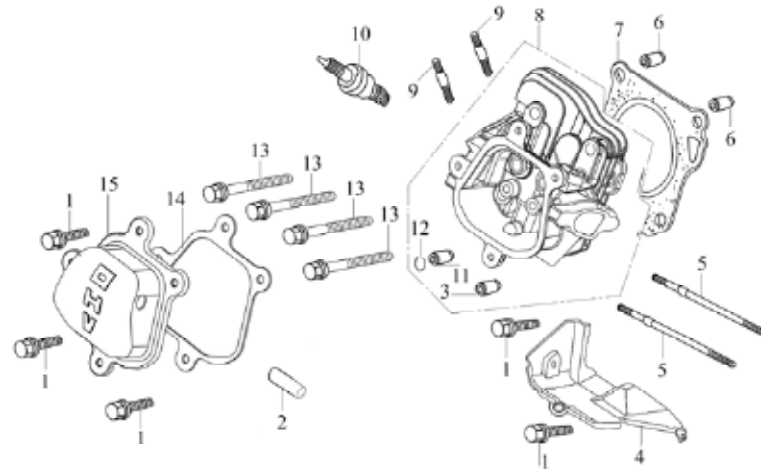
CRANKCASE COVER ASSY



S/N	Part No.	Description	Quantity	Remark
1	15650/168F	Oil plug with Seal	1	
2	15651/168F	Oil plug	1	
3	15612/168F	Seal	2	
4	11311	Crankcase cover	1	
5	GB276-89	Bearing 6205	1	
6	11119	Gasket, crankcase	1	
7	11118/168F	Set pin	2	
8	15611/168F	Dipstick	1	
9	15610/168F	Dipstick with seal	1	
10	13180/168F	Oil seal, crankshaft	1	
11	GB5787-86	Bolt M8 × 32	7	

E-3

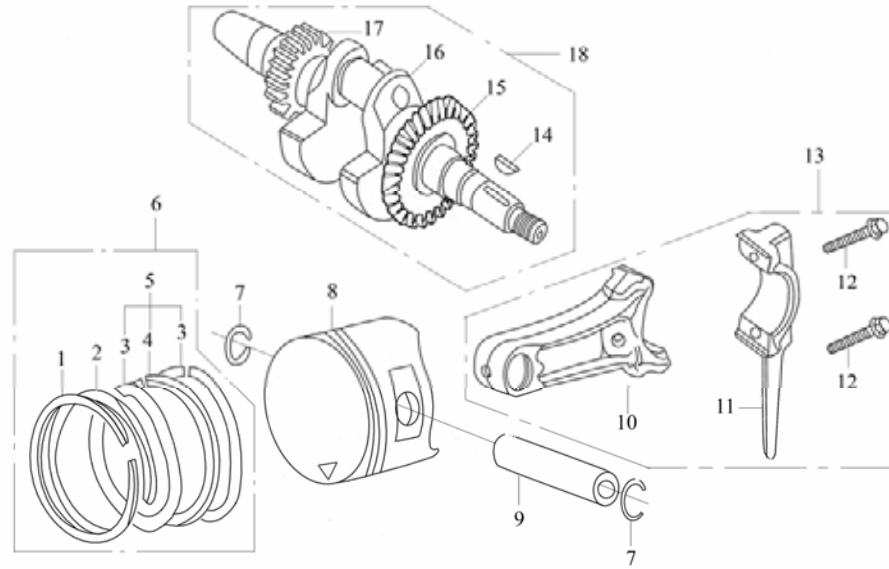
CYLINDER HEAD & CYLINDER HEAD COVER ASSY



S/N	Part No.	Description	Quantity	Remark
1	GB5787-86	Bolt M6×12	6	
2	20651/168F	Air duck	1	
3	12214/168F	Intake valve guide	1	
4	19721/168F	Lead wind cover	1	
5	12252/168F	Stud M6×109	2	
6	12218/168F	Set pin φ 10×16	2	
7	12221	Gasket, cylinder head	1	
8	12210	Cylinder head Assy	1	
9	12253/168F	Stud M8×34	2	
10	34200/168F	Spark plug F6TC	1	
11	12215/168F	Exhaust valve guide	1	
12	12219/168F	Circip	1	
13	12256/168F	Bolt	4	
14	12312/168F	Gasket, cylinder head cover	1	
15	12310/168F	Cylinder head cover Assy	1	

E-4

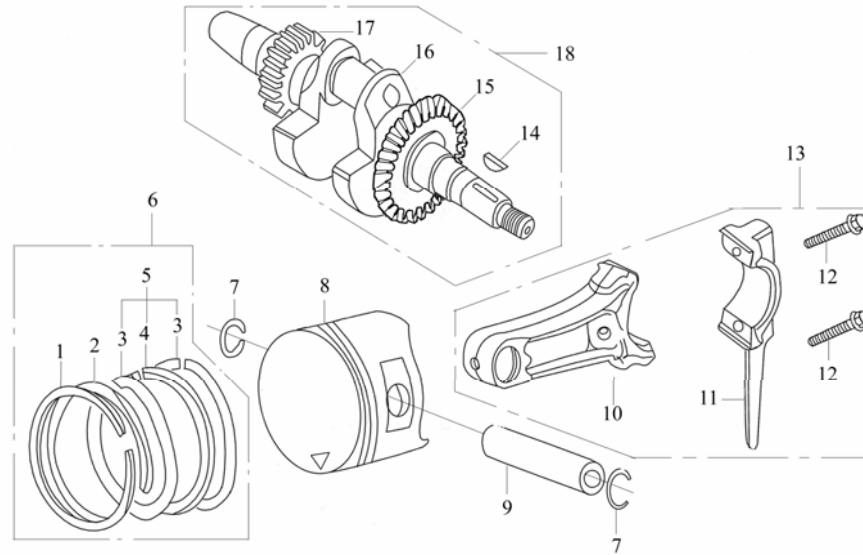
CRANKSHAFT, PISTON & CONNECTING



S/N	Part No.	Description	Quantity	Remark
1	13311/168F	Piston ring (I)	1	
2	13312/168F	Piston ring (II)	1	
3	13322/168F	Side rail	2	
4	13321/168F	Expander	1	
5	13320/168F	Scraper ring set	1	
6	13300/168F	Piston ring assy	1	
7	13222/168F	Piston pin circlip	2	
8	13211/168F	Piston	1	
9	13221/168F	Piston pin	1	
10	13131/168F	Shank	1	
11	13132/168F	Connecting rod cover	1	
12	13133/168F	Bolt	2	
13	13130/168F	Connecting rod assy	1	

E-4

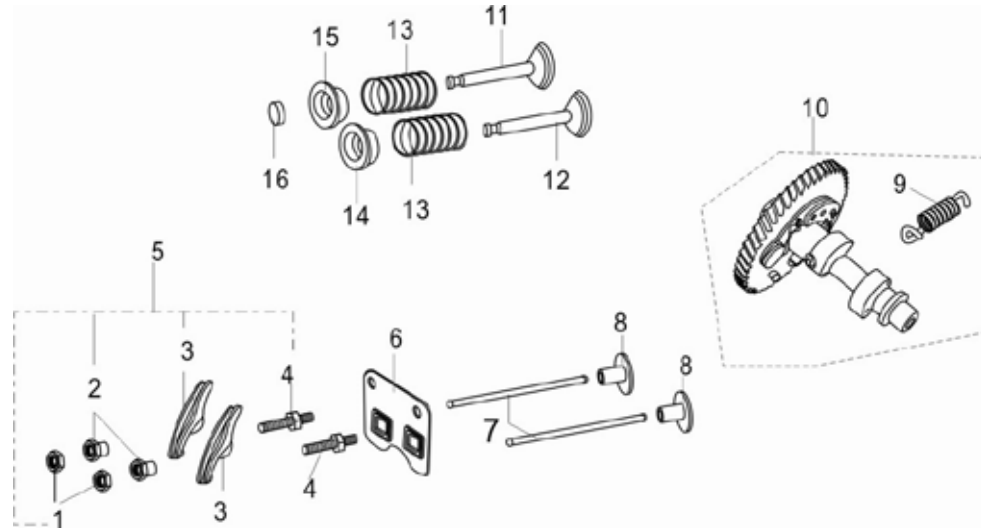
CRANKSHAFT, PISTON & CONNECTING



S/N	Part No.	Description	Quantity	Remark
14	13118/168F	Woodruff key	1	
15	25111/168F	Drive gear	1	
16	13111/168F -2	Crankshaft	1	
17	14211/168F	Timing driving gear	1	
18	13110/168F -2	Crankshaft assy	1	

E-5

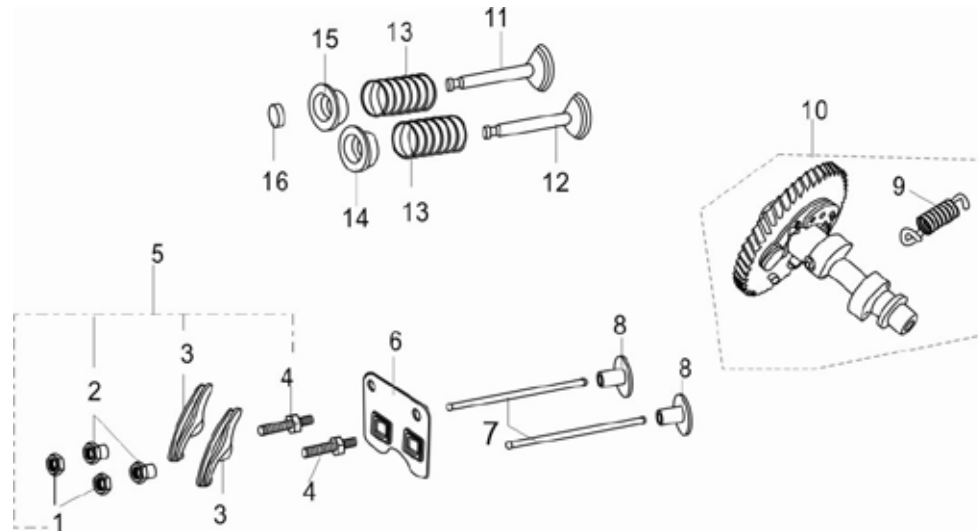
COMBINATION OF CAM SHAFT & VALVE ROCKER



S/N	Part No.	Description	Quantity	Remark
1	14416/168F	Lock nut	2	
2	14413/168F	Sleeve	2	
3	14411/168F	Valve rocker	2	
4	14415/168F	Adjusting bolt for valve gap	2	
5	14410/168F	Valve rocker assy	2	
6	14261/168F	Pusher guide	1	
7	14250/168F	Pusher	2	
8	14455	Tappet	2	
9	14146/168F	Extension spring	1	
10	14100	Camshaft Assy	1	
11	14721/168F	Exhaust valve	1	
12	14711/168F	Intake valve	1	

E-5

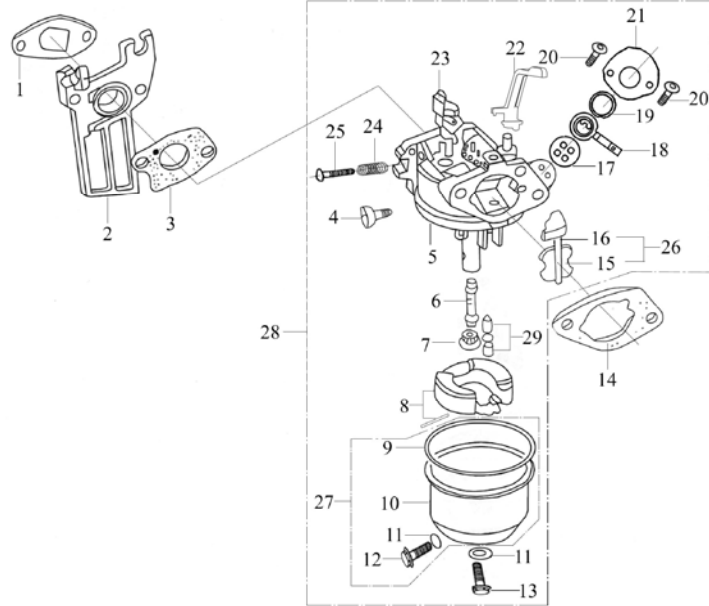
COMBINATION OF CAM SHAFT & VALVE ROCKER



S/N	Part No.	Description	Quantity	Remark
13	14755/168F	Valve spring	2	
14	14751/168F	Spring seat, intake valve	1	
15	14757/168F	Spring seat, exhaust valve	1	
16	14758/168F	Cap	1	

-6

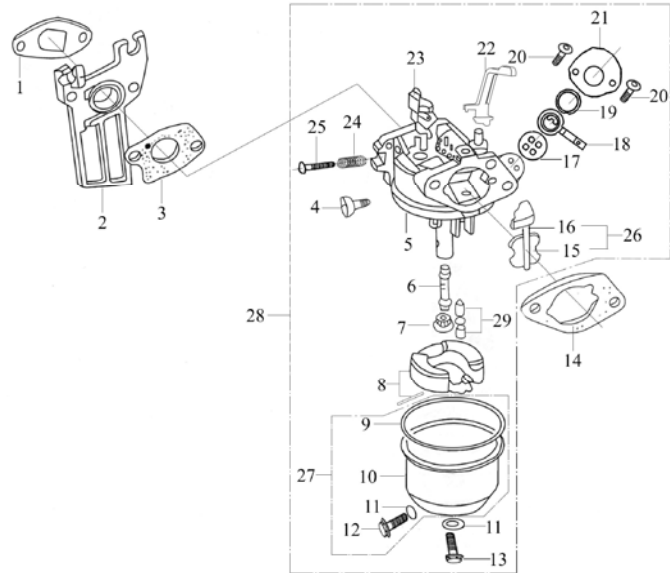
CARBURETOR ASSY



S/N	Part No.	Description	Quantity	Remark
1	12254/168F	Inlet gasket	1	
2	16141/168F	Connecting block	1	
3	16142/168F	Carburetor gasket	1	
4	16421/168F	Idle adjustment screw	1	
5	16250/168F-2	Mixture chamber body	1	
6	16251/168F-2	Main nozzle	1	
7	16254/168F-2	Main jet	1	
8	16230/168F	Float	1	
9	16219/168F	Float chamber gasket	1	
10	16211/168F	Float chamber	1	
11	16216/168F	Washer	2	
12	16215/168F	Float chamber drain Screw	1	
13	16213/168F	Screw	1	
14	17330/168F	Air cleaner gasket	1	

E-6

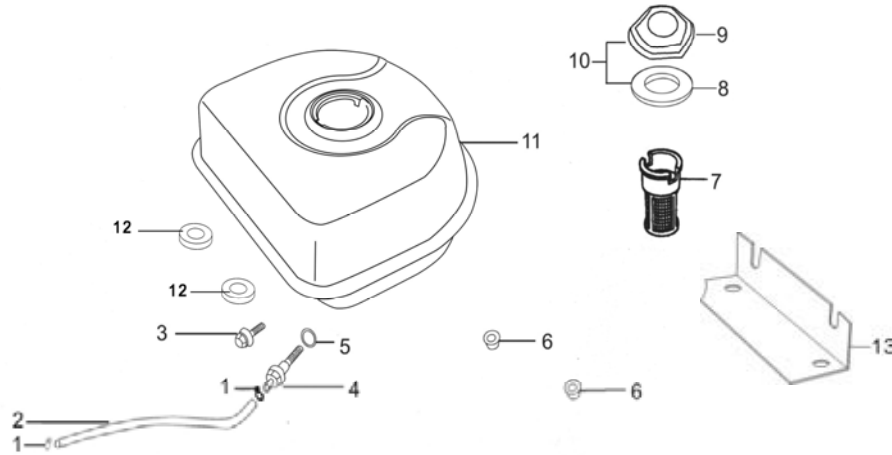
CARBURETOR ASSY



S/N	Part No.	Description	Quantity	Remark
15	16331/168F	Choke	1	
16	16332/168F	Choke stem	1	
17	16312/168F	Airproof washer	1	
18	16311/168F	Throttle lever	1	
19	16313/168F	Washer	1	
20	GB5787-86	Screw M4	2	
21	16314/168F	Cover	1	
22	16148/168F	Choke switch	1	
23	16280/168F-2	Throttle unit	1	
24	16422/168F	Spring, mixture adjustment screw	1	
25	16425/168F	Mixture adjustment screw	1	
26	16330/168F	Choke unit	1	
27	16210/168F	Float chamber	1	
28	16100	Carburetor Assy	1	
29	16240/168F	Float needle	1	

E-7

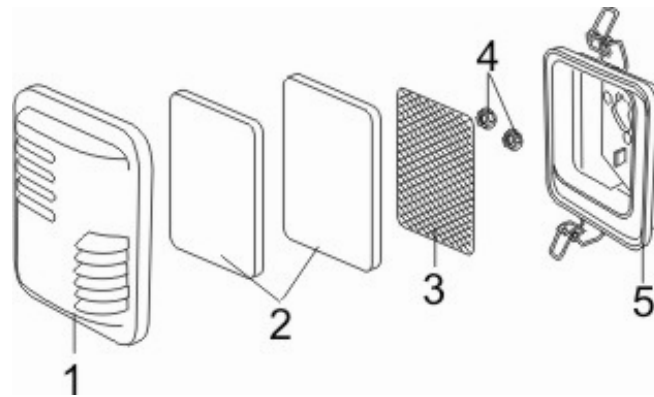
FUEL TANK ASSY



S/N	Part No.	Description	Quantity	Remark
1	16937/168F	Pipe clamp	2	
2	16931/168F	Outlet pipe	1	
3	GB5787-86	Bolt M6×22	1	
4	16950/168F	Connector	1	
5	16961/168F	Packing ring	1	
6	GB6177-86	Nut M6	2	
7	16916/168F	Filter cup	1	
8	16521/168F	Packing ring	1	
9	16510/168F	Fuel filler cap	1	
10	16500/168F	Fuel filler cap with packing ring	1	
11	16610/168F	Fuel tank	1	
12	16811	Fuel tank shock pad	2	
13	16815	Board	1	

E-8

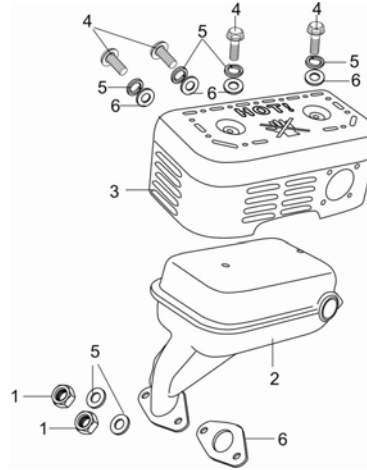
AIR CLEANER ASSY



S/N	Part No	Description	Quantity	Remark
1	17111	Air cleaner cover	1	
2	17130	Filter element	2	
3	17135	Steel wire net	1	
4	GB6177-86	Nut M6	2	
5	17141	Air cleaner base	1	

E-9

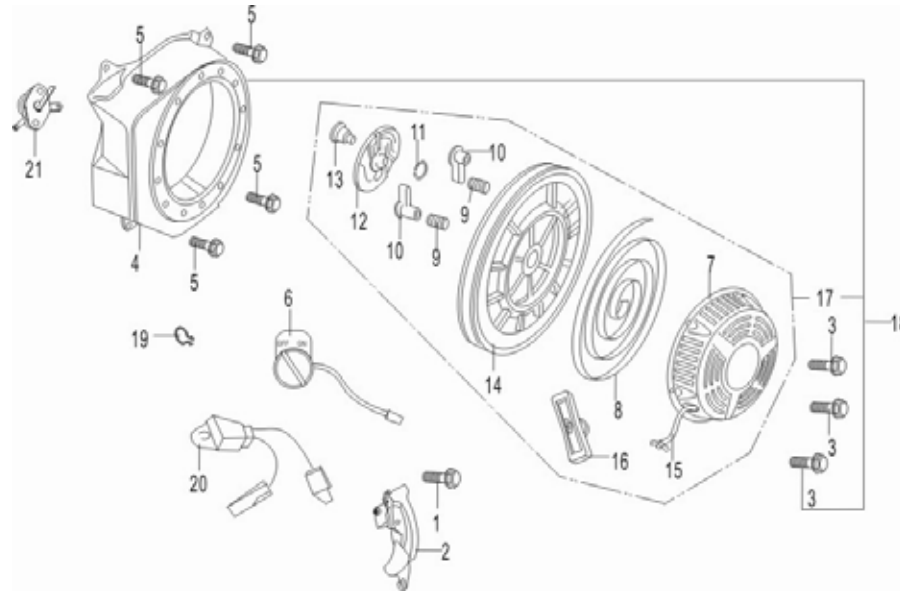
MUFFLER



S/N	Part No	Description	Quantity	Remark
1	GB6170-86	Nut M8	2	
2	18300	Muffler	1	
3	18600	Muffler hood	1	
4	GB5787-86	Bolt M6×8	4	
5	GB6170-86	Washer	2	
6	12255/168F	Exhaust gasket	1	
7	GB6170-86	Washer	4	
8	GB/T93-87	Washer	4	

E-10

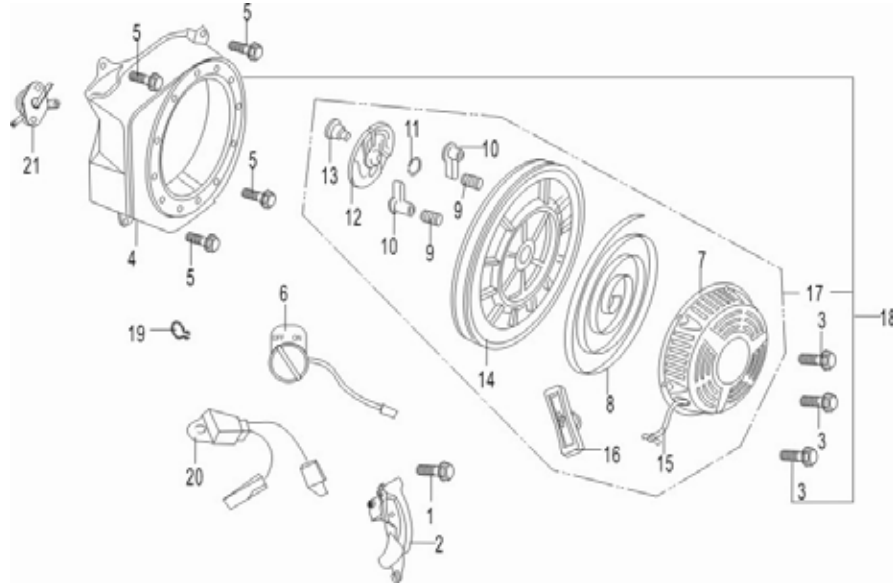
RECOIL STARTER



S/N	Part No	Description	Quantity	Remark
1	GB5787-86	Bolt M6×22	1	
2	19810	Crankcase side plate assy	1	
3	GB5787-86	Bolt M6×18	3	
4	19710	Fan hood assy	1	
5	GB5787-86	Bolt M6×12	5	
6	35410/168F	Engine switch	1	
7	27380/168F	Casing	1	
8	27319/168F	Spiral spring	1	
9	27312/168F	Ratchet spring	2	
10	27331/168F	Ratchet	2	
11	27311/168F	Friction spring	1	
12	27341/168F	Spring lid	1	

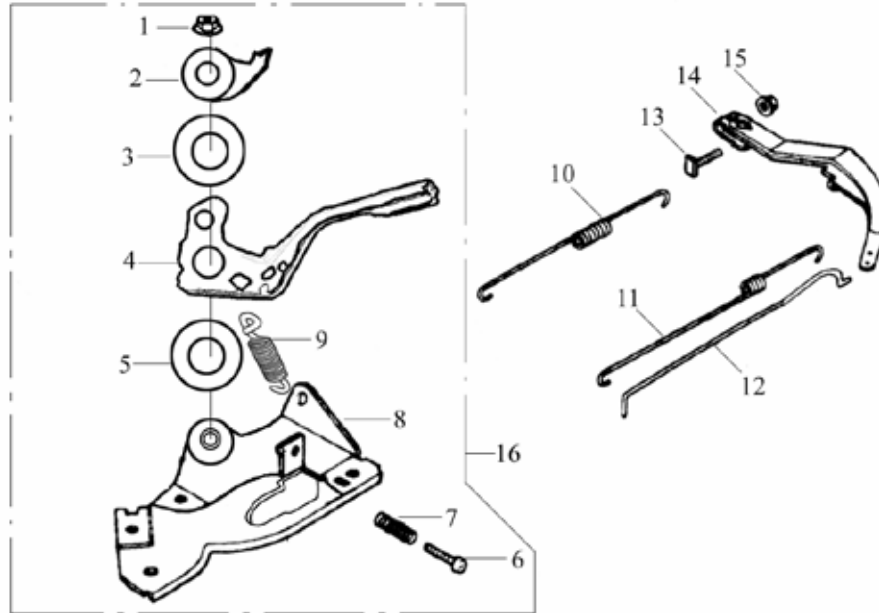
E-10

RECOIL STARTER



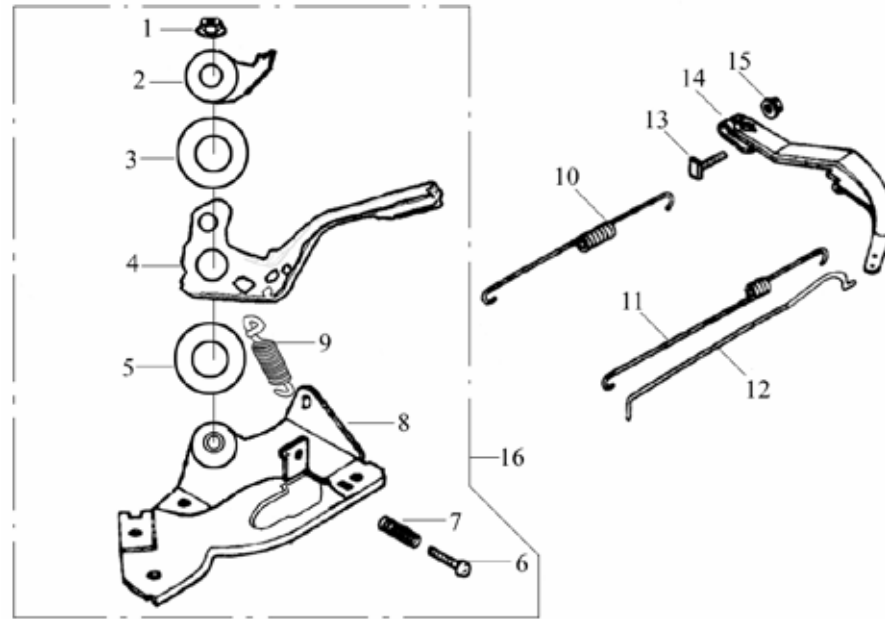
S/N	Part No	Description	Quantity	Remark
13	27315/168F	Set screw	1	
14	27351/168F	Starter rolls	1	
15	27313/168F	Rope	1	
16	27361/168F	Pulling handle	1	
17	27300	Recoil starter	1	
18	27100	Recoil starter assy	1	
19	32211/168F	Plastic clip	1	
20	37850/168F	Diode	1	
21	16930	Fuel cock	1	

E-11

REGULATING CONTROL SYSTEM

S/N	Part No	Description	Quantity	Remark
1	GB6173-86	Nut M6	1	
2	26414/168F	Setting panel	1	
3	26418/168F	Spring patch	1	
4	26412/168F	Handgrip	1	
5	26419/168F	Washer	1	
6	GB818-85-H	Bolt M5×25	1	
7	26415/168F	Regulating spring	1	
8	26420/168F	Support panel assy	1	
9	26416/168F	Spring	1	
10	26363	Back spring	1	
11	26364/168F	Fine regulating spring	1	

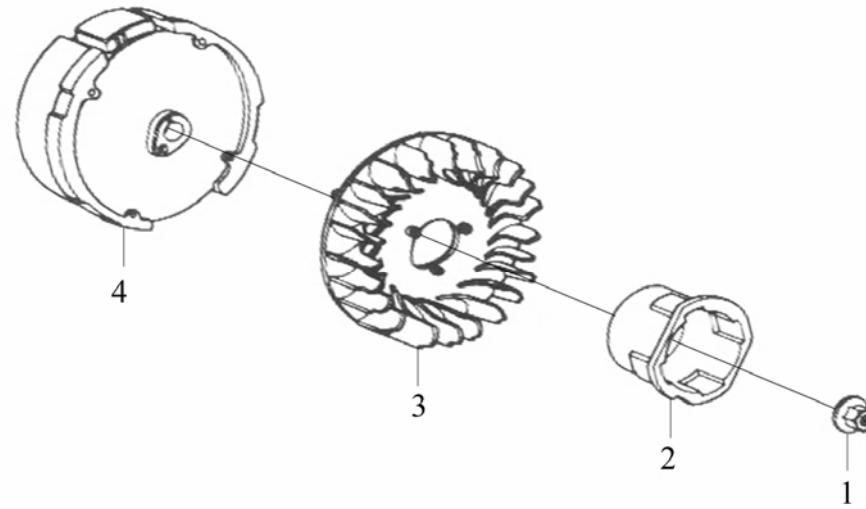
E-11

REGULATING CONTROL SYSTEM

S/N	Part No	Description	Quantity	Remark
12	26341/168F	Pulling rod	1	
13	26362/168F	Lock bolt	1	
14	26331	Regulating arm	1	
15	GB6177-86	Nut M6	1	
16	26410/168F	Regulating frame assy	1	

E-12

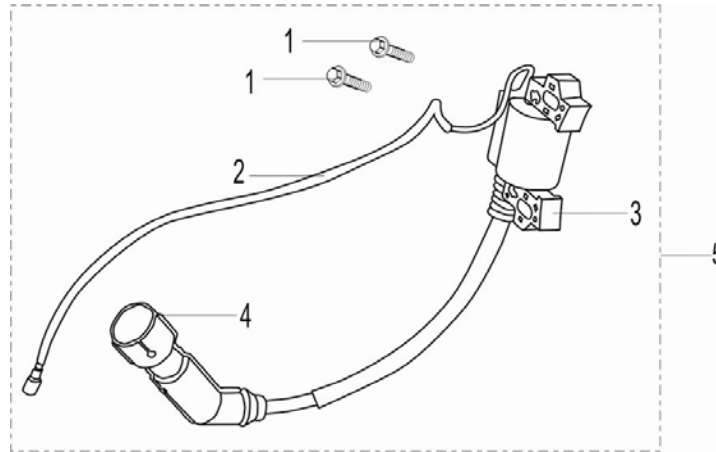
FLYWHEEL



S/N	Part No	Description	Quantity	Remark
1	27515/168F	Nut M14×1.5	1	
2	27370/168F	Starting flange	1	
3	19722/168F	Flywheel fan	1	
4	27500	Flywheel	1	

E-13

IGNITION COIL



S/N	Part No	Description	Quantity	Remark
1	GB5787-86	Screw M6×22	2	
2	34410/168F	Engine stop cable	1	
3	34510/168F	Ignition coil	1	
4	34310/168F	Spark plug cap	1	
5	34500/168F	Ignition coil assy	1	



1-877-270-7772
6226 Danville Road
Mississauga, ON, L5T 2H7