

# GS90

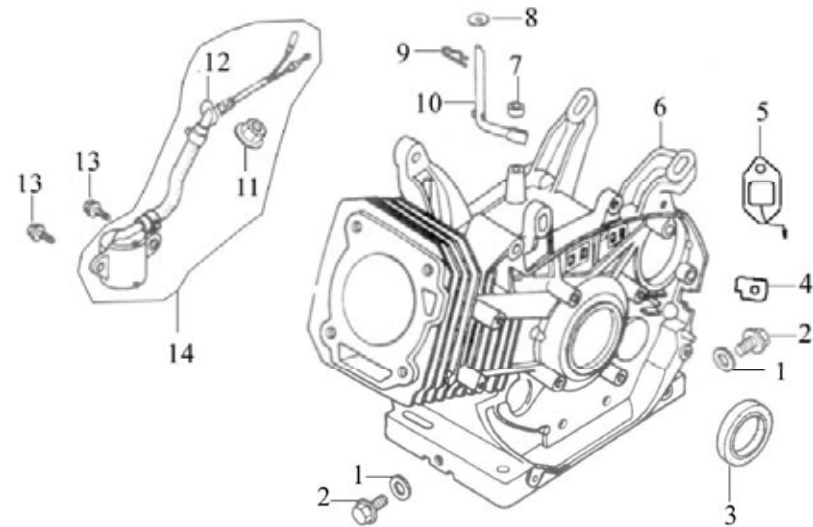
## Parts Manual and Diagram



E-1	<b>CRANKCASE ASSY</b>	1
E-2	<b>CRANKCASE COVER ASSY</b>	2
E-3	<b>CYLINDER HEAD &amp; CYLINDER HEAD COVER ASSY</b>	4
E-4	<b>CRANKSHAFT, PISTON &amp; CONNECTING</b>	6
E-5	<b>COMBINATION OF CAM SHAFT &amp; VALVE ROCKER</b>	8
E-6	<b>CARBURETOR ASSY</b>	10
E-7	<b>FUEL TANK ASSY</b>	12
E-8	<b>AIR CLEANER ASSY</b>	13
E-9	<b>MUFFLER</b>	14
E-10	<b>RECOIL STARTER</b>	15
E-11	<b>REGULATING CONTROL SYSTEM</b>	17
E-12	<b>FLYWHEEL</b>	19
E-13	<b>IGNITION COIL</b>	20

**E-1**

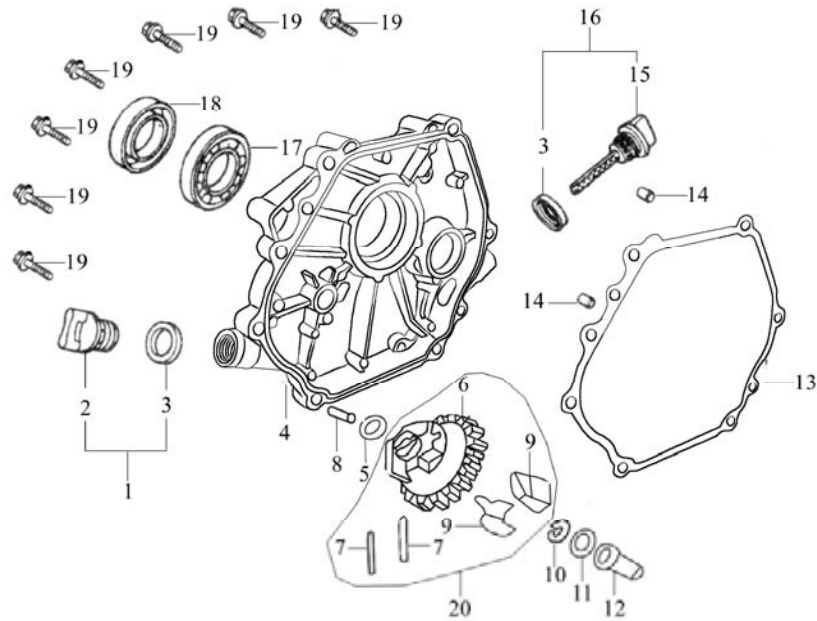
**CRANKCASE ASSY**



S/N	Part No.	Description	Quantity	Remark
1	11213/173F	Washer	2	
2	11212/173F	Drain plug	2	
3	13180/173F	Oil seal, crankshaft	1	
4	11124/173F	Seal	1	
5	37850/168F	Diode	1	
6	11100	Crankcase	1	
7	26390/173F	Oil seal, regulating sway bar	1	
8	26329/173F	Washer	1	
9	26321/173F	Split pin	1	
10	26311/173F	Regulating sway bar	1	
11	GB6177-86	Nut M10	1	
12	GB3452.1-92	O-ring	1	
13	GB5787-86	Bolt M6 × 14	2	
14	37810/168F	Oil sensor	1	

E-2

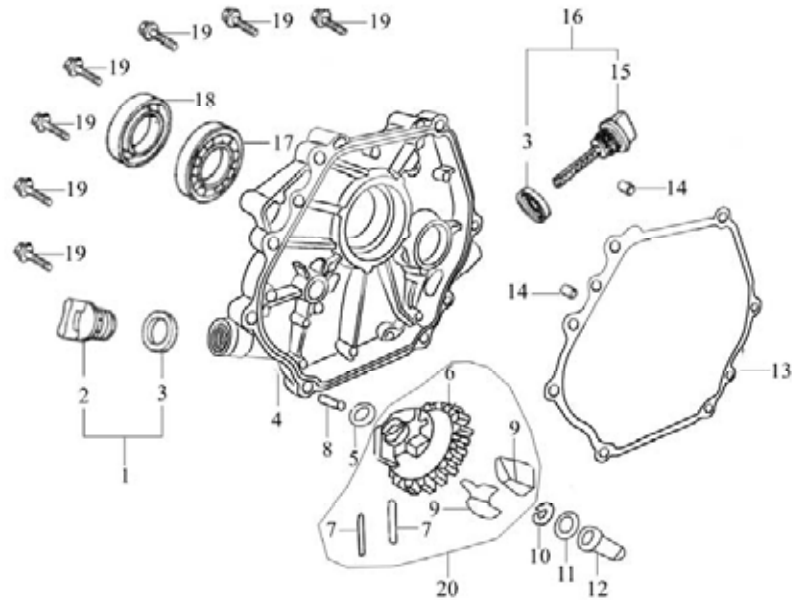
**CRANKCASE COVER ASSY**



S/N	Part No.	Description	Quantity	Remark
1	15650/173F	Oil plug with Seal	1	
2	15651/173F	Oil plug	1	
3	15612/173F	Seal	1	
4	11311/173F	Crankcase cover	1	
5	25165/173F	Washer, driven gear	1	
6	25121/173F	Driven gear, regulator	1	
7	25163/173F	Pin	2	
8	25151/173F	Regulating shaft	1	
9	25141/173F	Flying block	2	
10	25164/173F	Snap ring	1	
11	25132/168F	Washer	1	
12	25131/173F	Sliding sleeve	1	

E-2

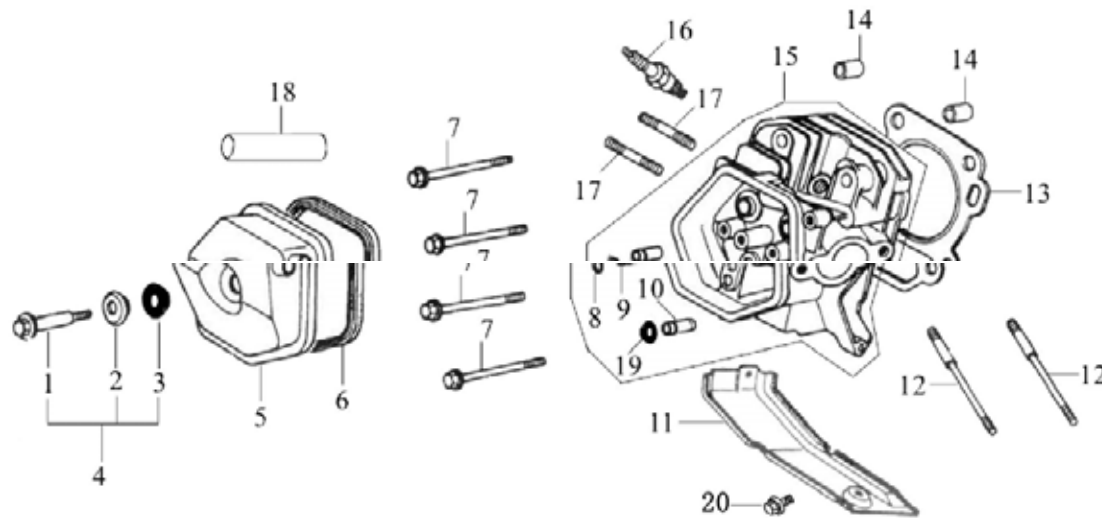
**CRANKCASE COVER ASSY**



S/N	Part No.	Description	Quantity	Remark
13	11119/173F	Gasket, crankcase	1	
14	11118/173F	Set pin $\Phi 8 \times 12$	2	
15	15611/173F	Dipstick	1	
16	15610/173F	Dipstick with seal	1	
17	GB276-89	Bearing 6206	1	
18	13180/173F	Oil seal, crankshaft	1	
19	GB5787-86	Bolt M8 $\times$ 35	7	
20	25120/173F	Driven gear, regulator assy	1	

E-3

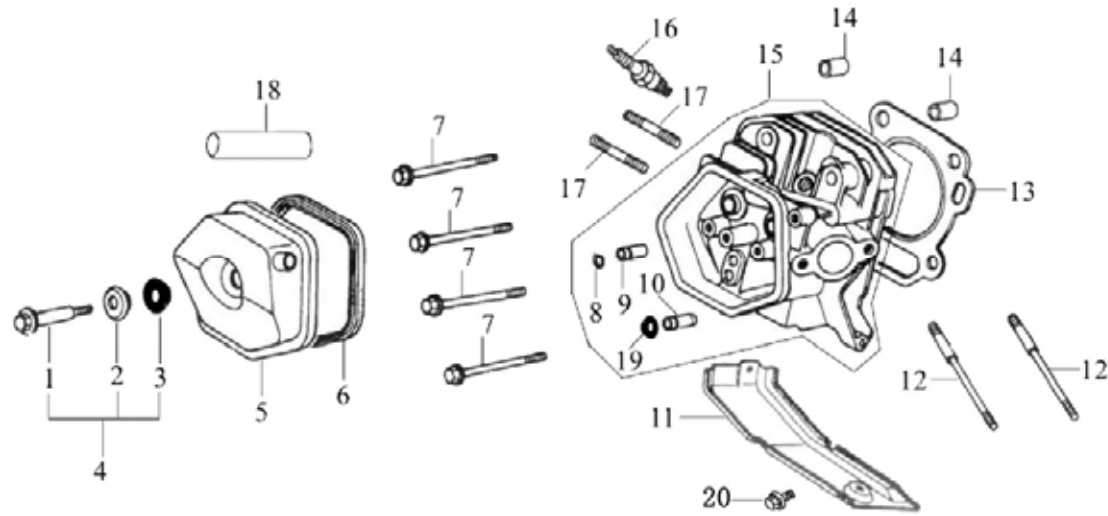
**CYLINDER HEAD & CYLINDER HEAD COVER ASSY**



S/N	Part No.	Description	Quantity	Remark
1	12411/173F	Bolt	1	
2	12412/173F	Washer	1	
3	12421/173F	Rubber seal	1	
4	12410/173F	Bolt	1	
5	12310/173F	Cylinder head cover Assy	1	
6	12312/173F	Gasket, cylinder head cover	1	
7	12256/173F	Bolt	4	
8	12219/173F	Circlip	1	
9	12215/173F	Exhaust valve guide	1	
10	12214/173F	Intake valve guide	1	
11	19721/173F	Lead wind cover	1	
12	12252/173F	Stud	2	
13	12220	Gasket, cylinder head	1	
14	12218/173F	Set pin	2	
15	12210/173F	Cylinder head Assy	1	

E-3

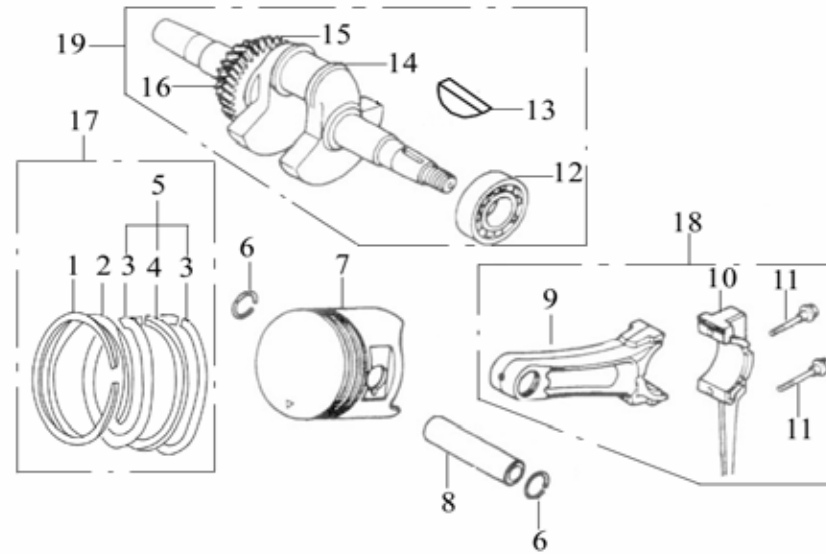
**CYLINDER HEAD & CYLINDER HEAD COVER ASSY**



S/N	Part No.	Description	Quantity	Remark
16	34200/173F	Spark plug F7RTC	1	
17	12253/173F	Stud	2	
18	20651/173F	Air duck	1	
19	14730/173F	Seal	1	
20	GB5787-86	Bolt:M6×12	1	

E-4

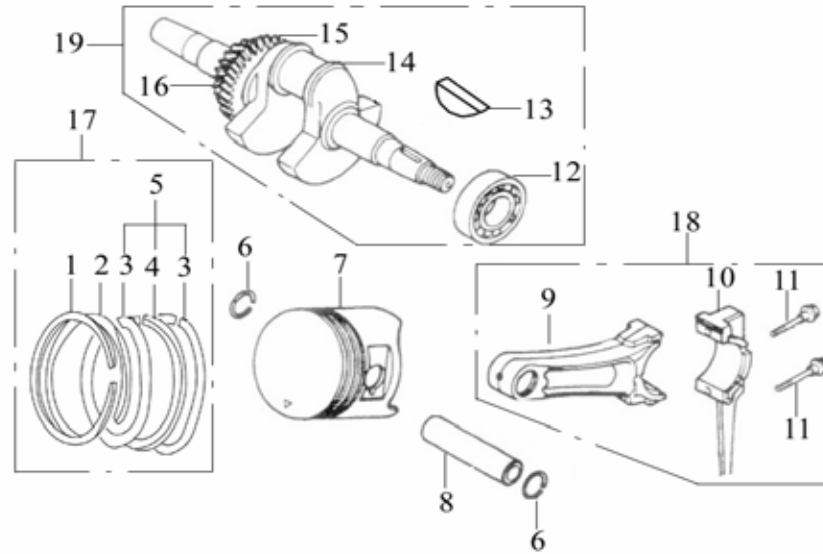
**CRANKSHAFT, PISTON & CONNECTING**



S/N	Part No.	Description	Quantity	Remark
1	13311	Piston ring ( I )	1	
2	13312	Piston ring ( II )	1	
3	13322	Side rail	2	
4	13321	Expander	1	
5	13320	Scraper ring set	1	
6	13222/168F	Piston pin circlip	2	
7	13211	Piston	1	
8	13221/173F	Piston pin	1	
9	13131/173F	Shank	1	
10	13132/173F	Connecting rod cover	1	
11	13133/173F	Bolt	2	
12	GB276-89	Bearing 6206	1	
13	13118/173F	Woodruff key	1	
14	13111/173F	Crankshaft	1	

E-4

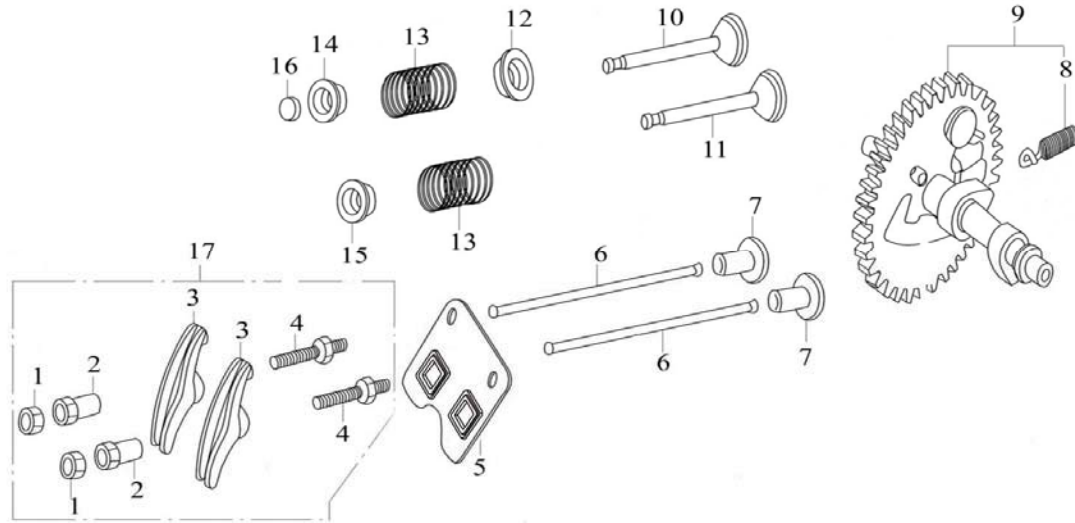
**CRANKSHAFT, PISTON & CONNECTING**



S/N	Part No.	Description	Quantity	Remark
15	25111/173F	Drive gear	1	
16	14211/173F	Timing driving gear	1	
17	13300/173F	Piston ring set	1	
18	13130/173F	Connecting rod assy	1	
19	13110/173F	Crankshaft assy	1	

E-5

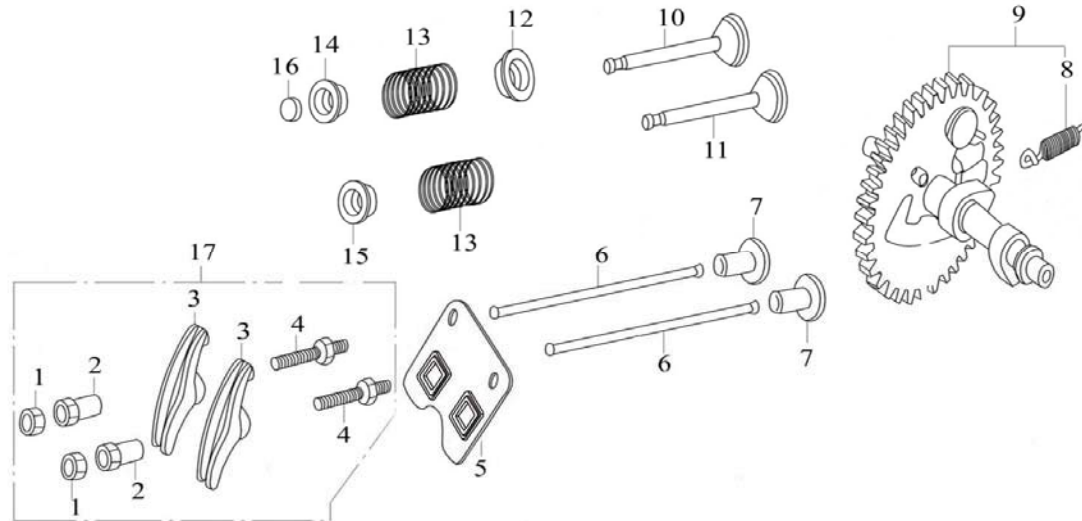
**COMBINATION OF CAM SHAFT & VALVE ROCKER**



S/N	Part No.	Description	Quantity	Remark
1	14416/168F	Lock nut	2	
2	14413/168F	Sleeve	2	
3	14411/173F	Valve rocker	2	
4	14415/168F	Adjusting bolt for valve gap	2	
5	14261/173F	Pusher guide	1	
6	14250/173F	Pusher	2	
7	14455/173F	Tappet	2	
8	14146/173F	Extension spring	1	
9	14100/173F	Camshaft assy	1	
10	14721/173F	Exhaust valve	1	
11	14711/173F	Intake valve	1	
12	14753/173F	Spring retainer, exhaust valve	1	
13	14755/173F	Valve spring	2	
14	14757/173F	Spring seat, exhaust valve	1	

**E-5**

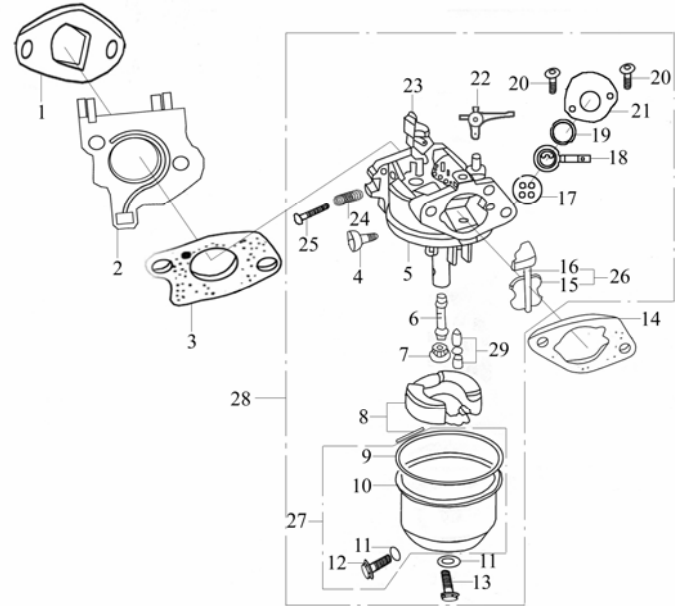
**COMBINATION OF CAM SHAFT & VALVE ROCKER**



S/N	Part No.	Description	Quantity	Remark
15	14751/173F	Spring seat, intake valve	1	
16	14758/173F	Cap	1	
17	14410/173F	Valve rocker assy	1	

**E-6**

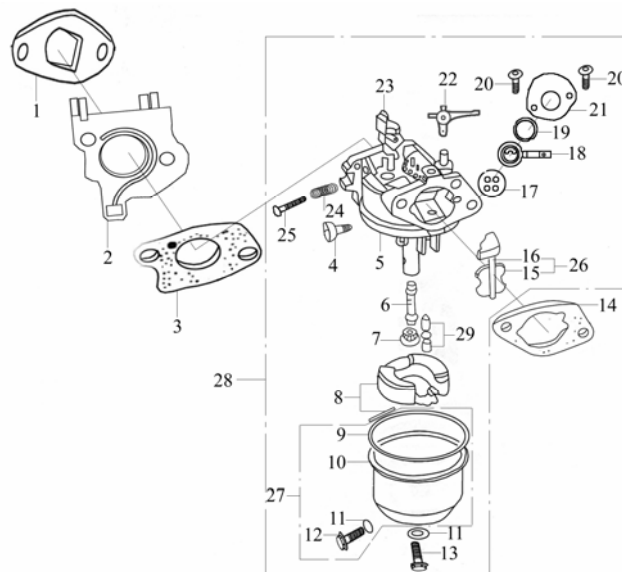
**CARBURETOR ASSY**



S/N	Part No.	Description	Quantity	Remark
1	12254/173F	Inlet gasket	1	
2	16141/173F	Connecting block	1	
3	16142/173F	Carburetor gasket	1	
4	16421/168F	Idle adjustment screw	1	
5	16250	Mixture chamber body	1	
6	16251	Main nozzle	1	
7	16254	Main jet	1	
8	16230	Float	1	
9	16219	Float chamber gasket	1	
10	16211	Float chamber	1	
11	16216/168F	Washer	2	
12	16215/168F	Float chamber drain Screw	1	
13	16213	Screw	1	
14	17330	Air cleaner gasket	1	

**E-6**

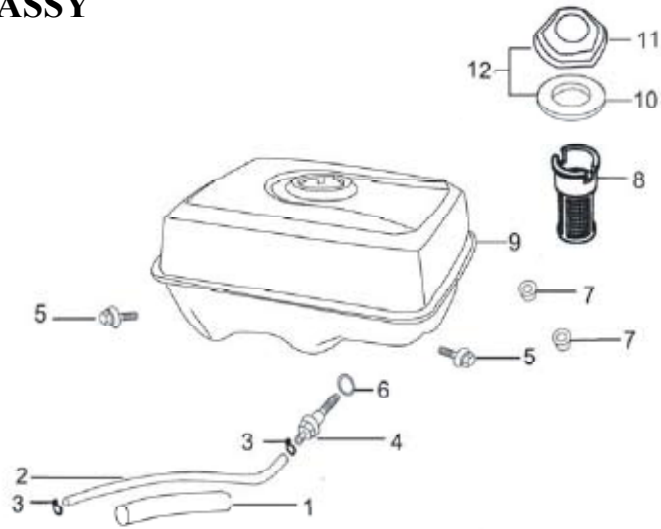
**CARBURETOR ASSY**



S/N	Part No.	Description	Quantity	Remark
15	16331/173F	Choke	1	
16	16332/173F	Choke stem	1	
17	16312/168F	Airproof washer	1	
18	16311/168F	Throttle lever	1	
19	16313/168F	Washer	1	
20	GB5787-86	Screw M4	2	
21	16314/168F	Cover	1	
22	16148/173F	Choke switch	1	
23	16280/173F	Throttle unit	1	
24	16422/168F	Spring, mixture adjustment screw	1	
25	16425/168F	Mixture adjustment screw	1	
26	16330	Choke unit	1	
27	16210	Float chamber	1	
28	16100	Carburetor Assy	1	
29	16240	Float needle	1	

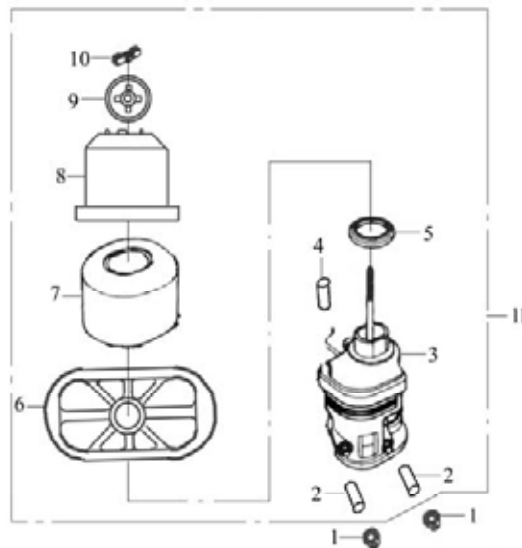
**E-7**

**FUEL TANK ASSY**



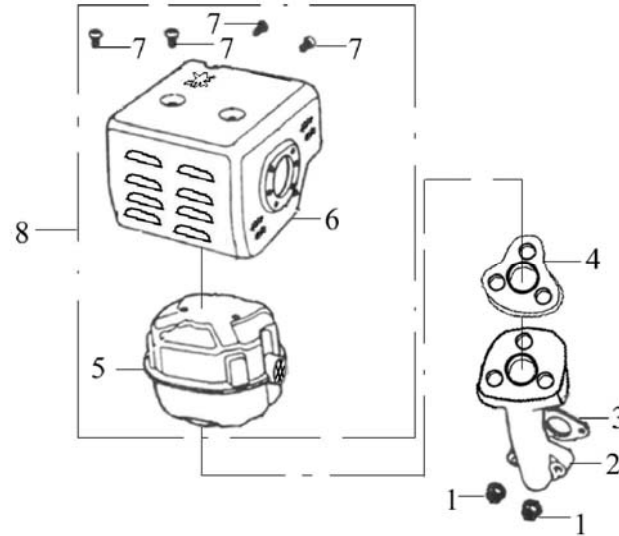
S/N	Part No.	Description	Quantity	Remark
1	16933	Pipe	1	
2	16931	Outlet pipe	1	
3	16937/168F	Pipe clamp	2	
4	16950/168F	Connector	1	
5	GB5787-86	Bolt M8×25	1	
6	16961/168F	Packing ring	1	
7	GB6177-86	Nut M8	2	
8	16610	Fuel tank	1	
9	16916/168F	Filter cup	1	
10	16521/168F	Packing ring	1	
11	16510/168F	Fuel filler cap	1	
12	16500/168F	Fuel filler cap with packing ring	1	

E-8

**AIR CLEANER ASSY**

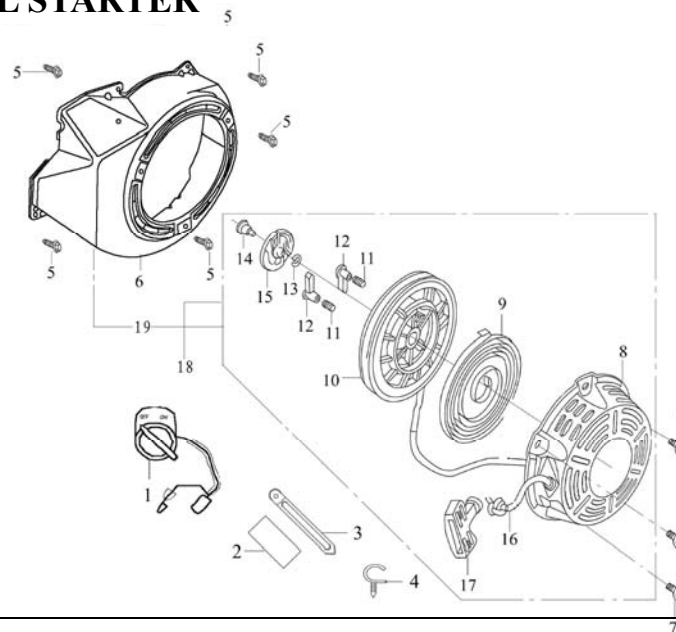
S/N	Part No	Description	Quantity	Remark
1	GB6170-86	Nut M6	2	
2	17126/173F	Sleeve A	2	
3	17131/173F	Air cleaner housing	1	
4	17146/173F	Sleeve B	1	
5	17145/173F	Gasket	1	
6	17141/173F	Filter bracket	1	
7	17132/173F	Filter element	1	
8	17111/173F	Air cleaner cover	1	
9	17112/173F	Air cleaner lid	1	
10	GB62-88	Wing nut	1	
11	17100/173F	Air cleaner assy	1	

E-9

**MUFFLER**

S/N	Part No	Description	Quantity	Remark
1	GB6170-86	Nut M8	2	
2	18111/173F	Exhaust pipe	1	
3	12255/173F	Exhaust pipe gasket	1	
4	18221/173F	Muffler gasket	1	
5	18300/173F	Muffler	1	
6	18600/173F	Muffler hood assy	1	
7	GB5787-86	Screw M5×8	4	
8	18100/173F	Muffler assy	1	

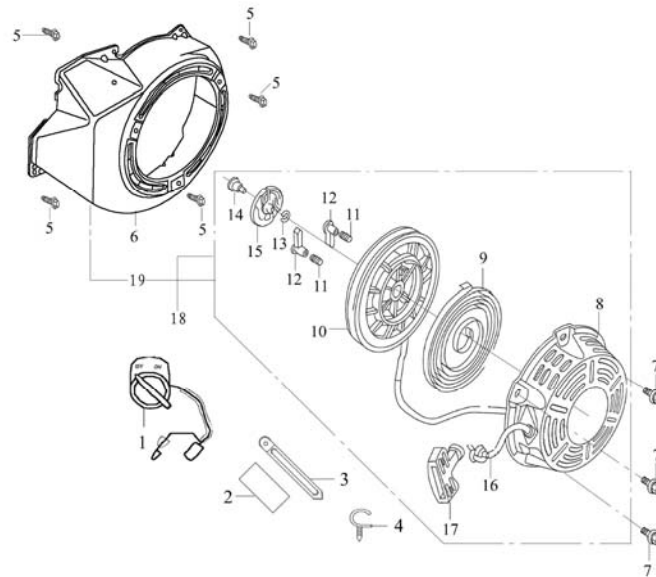
E-10

**RECOIL STARTER**

S/N	Part No	Description	Quantity	Remark
1	35410/168F	Engine switch	1	
2	32412/173F	Wire grommet	1	
3	32413/173F	Clip	1	
4	16146/173F	Plastic clip	1	
5	GB5787-86	Bolt M6×12	5	
6	19710/173F	Fan hood assy	1	
7	GB5787-86	Bolt M6×8	3	
8	27380/173F	Casing	1	
9	27319/173F	Spiral spring	1	
10	27351/173F	Starter rolls	1	
11	27312/173F	Ratchet spring	2	
12	27331/173F	Ratchet	2	
13	27311/173F	Friction spring	1	
14	27315/173F	Set screw	1	

E-10

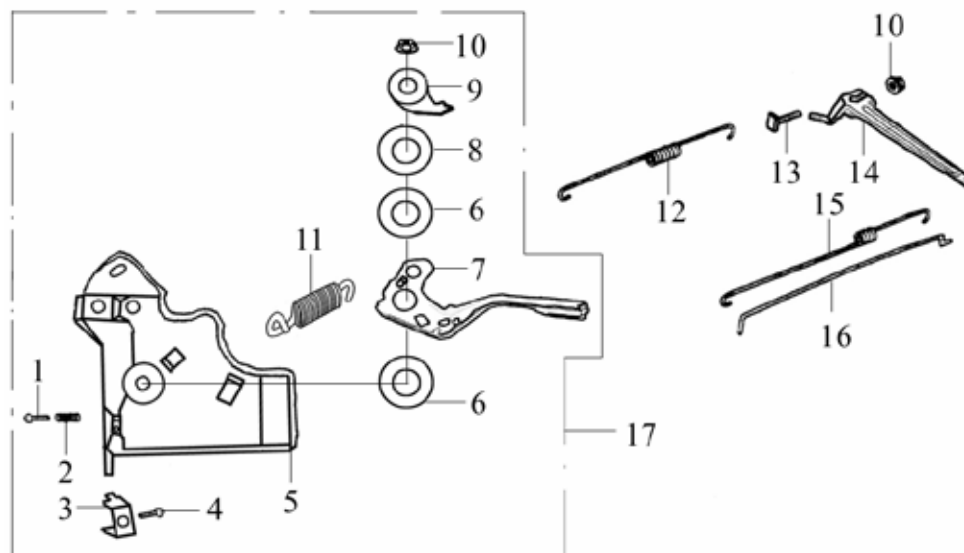
**RECOIL STARTER**



S/N	Part No	Description	Quantity	Remark
15	27341/173F	Spring lid	1	
16	27313/168F	Rope	1	
17	27361/168F	Pulling handle	1	
18	27300/173F	Recoil starter	1	
19	27100/173F	Recoil starter assy	1	

E-11

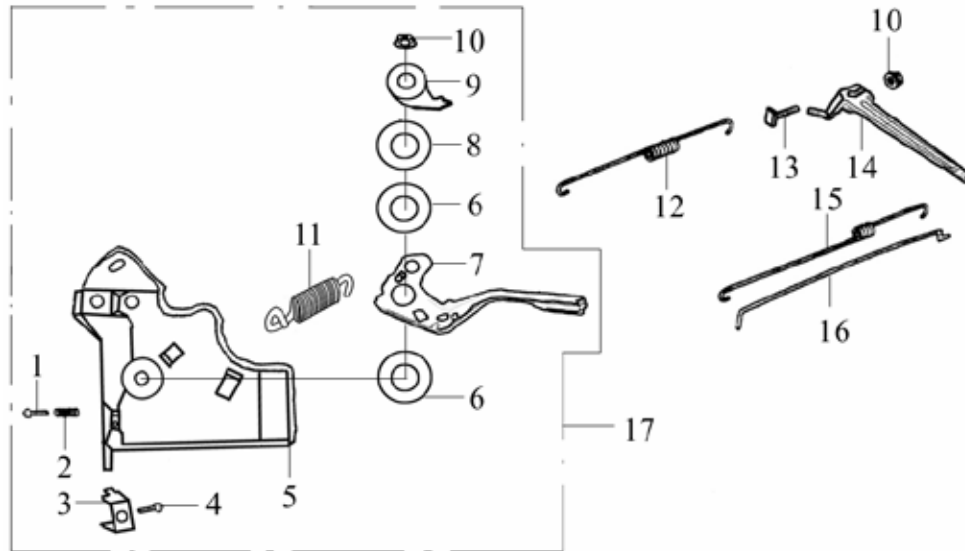
## REGULATING CONTROL SYSTEM



S/N	Part No	Description	Quantity	Remark
1	GB818-85-H	Bolt M5×35	1	
2	26415/173F	Regulating spring	1	
3	26422/173F	Clamp	1	
4	GB5787-86	Bolt M6×12	1	
5	26421/173F	Support panel	1	
6	26419/173F	Washer	2	
7	26412/173F	Handgrip	1	
8	26418/173F	Spring patch	1	
9	26414/173F	Setting panel	1	
10	GB6177-86	Nut M6	2	
11	26416/173F	Spring	1	
12	26363/173F	Back spring	1	
13	26362/168F	Lock bolt	1	
14	26331/173F	Regulating arm	1	

E-11

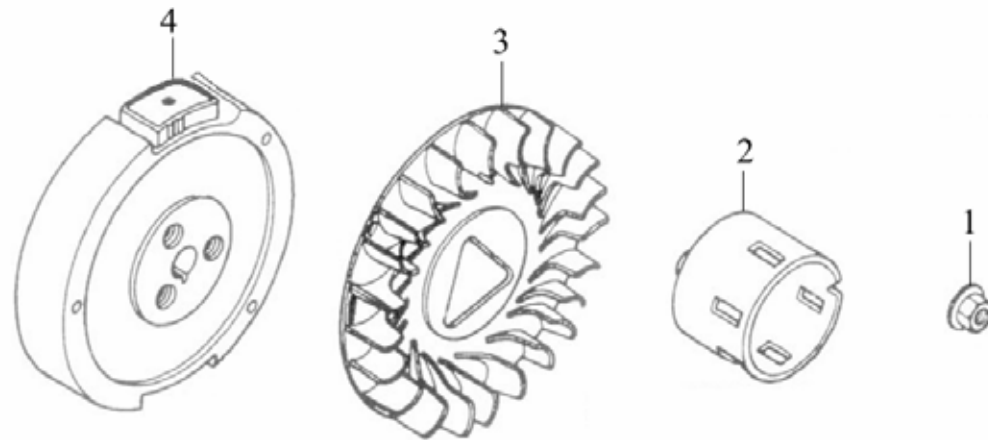
**REGULATING CONTROL SYSTEM**



S/N	Part No	Description	Quantity	Remark
15	26364/173F	Fine regulating spring	1	
16	26341/173F	Pulling rod	1	
17	26410/173F	Regulating frame assy	1	

E-12

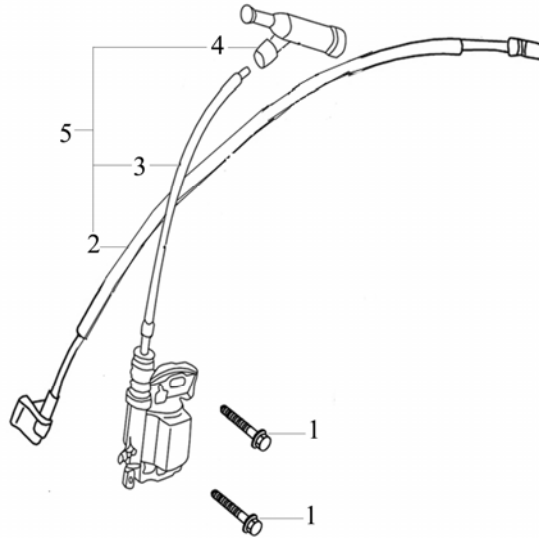
**FLYWHEEL**



S/N	Part No	Description	Quantity	Remark
1	27515/173F	Nut M16×1.25	1	
2	27370/173F	Starting flange	1	
3	19722/173F	Flywheel fan	1	
4	27500/173F	Flywheel	1	

E-13

IGNITION COIL



S/N	Part No	Description	Quantity	Remark
1	GB5787-86	Screw M6×25	2	
2	34410/173F	Engine stop cable	1	
3	34510/173F	Ignition coil	1	
4	34310/173F	Spark plug cap	1	
5	34500/173F	Ignition coil assy	1	



**1-877-270-7772**  
**6226 Danville Road**  
**Mississauga, ON, L5T 2H7**