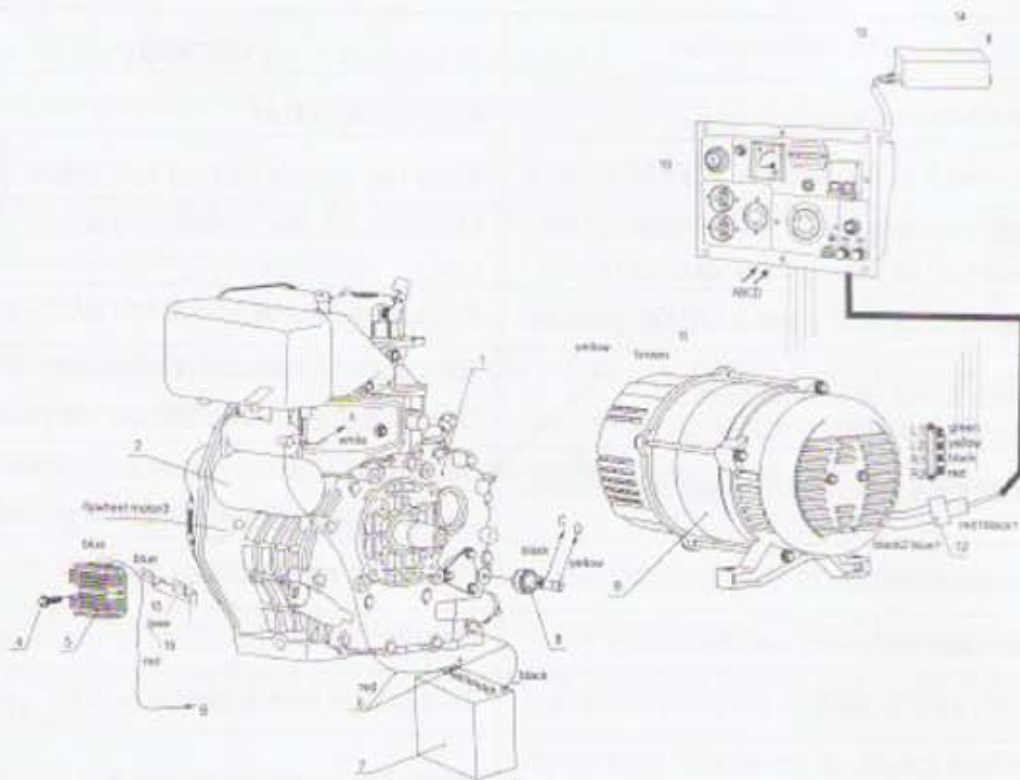


GSD5000LXB

Parts Manual and Diagram

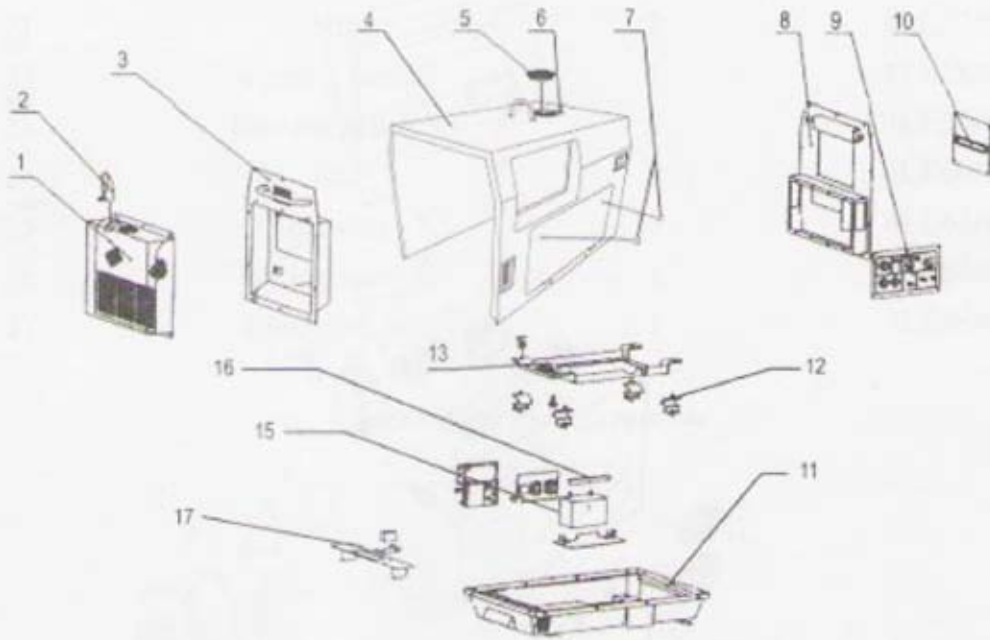


Overall view of engine generator assembly



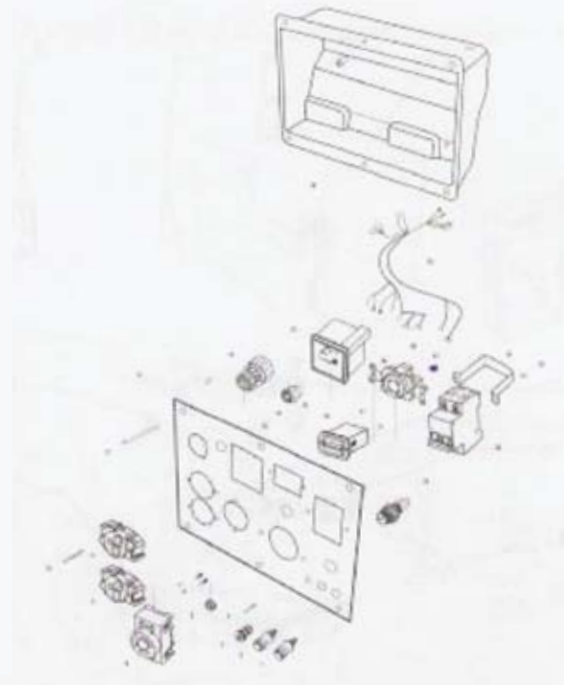
Number	Part Description	Quantity	Part Number
1	AT series diesel engine	1	4LN1/6LN1
2	Starter Motor	1	4LN2/6LN2
3	Flywheel generator	1	4LN3/6LN3
4	Bolt	2	4LN4/6LN4
5	Voltage Regulator	1	4LN5/6LN5
6	Battery Cable(red,black)	2	4LN6/6LN6
7	Battery	1	4LN8/6LN7
8	Oil level sensor	1	4LN9/6LN8
9	Generator	1	4LN9/6LN9
10	Output panel assembly	1	4LN10/6LN10
11	Throttle cable	2	4LN11/6LN11
12	Connector assembly	1	4LN12/6LN12
13	Capacitor	1	4LN13/6LN13
14	Bolt	2	4LN14/6LN14
15	Voltage Regulator Bracket	1	4LN15/6LN15
16	Bolt	2	4LN16/6LN16

Exploded view of frame assembly



Number	Part Description	Quantity	Part Number
1	Muffler cover plate	1	4LN17/6LN17
2	Muffler elbow	1	4LN18/6LN18
3	Left outer cover	1	4LN19/6LN19
4	Fuel gauge	1	4LN21/6LN21
5	Fuel tank sleeve	1	4LN22/6LN22
6	Main cover	1	4LN23/6LN23
7	Door knob	1	4LN24/6LN24
8	Right outer cover	1	4LN27/6LN27
9	Output panel assembly	1	4LN28/6LN28
10	Air cleaner cover	1	4LN29/6LN29
11	Lower Chassis	1	4LN30/6LN30
12	Engine tray mounts	4	4LN31/6LN31
13	Engine/Generator tray	1	4LN32/6LN32
14	Wheels	4	4LN33/6LN33
15	Battery	1	4LN34/6LN34
16	Battery tie down	1	4LN35/6LN35
17	Long cover plate	1	4LN36/6LN36

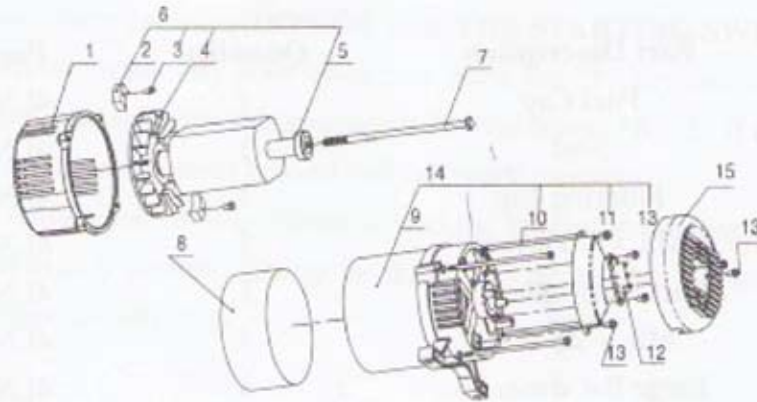
Electric panel parts drawing



Number	Part Description	Quantity	Part Number
1	Positive DC port	1	4LN37/6LN37
2	Negative DC port	1	4LN38/6LN38
3	Grounded bolt	1	4LN39/6LN39
4	Bolt	2	4LN40/6LN40
5	Large Nut	1	4LN41/6LN41
6	Bolt	2	4LN42/6LN42
7	Bolt	2	4LN43/6LN43
8	Large Nut	1	4LN44/6LN44
9	Current Adjusting Switch	1	4LN45/6LN45
10	3 prong Socket	6	4LN46/6LN46
11	Bolt	6	4LN47/6LN47
12	Electric panel bolt	1	4LN48/6LN48
13	Electric Panel	1	4LN49/6LN49
14	Starter switch	6	4LN50/6LN50
15	Large nut	1	4LN51/6LN51
16	Oil alert lamp	1	4LN52/6LN52
17	Hour meter	2	4LN53/6LN53
18	Hour meter bolts	1	4LN54/6LN54
19	DC Fuse	1	4LE55/6LE55

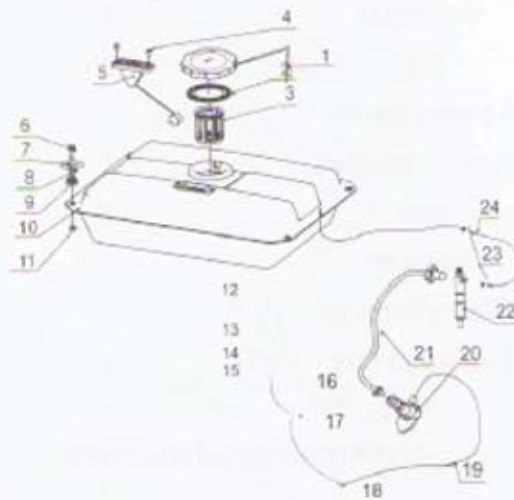
Number	Part Description	Quantity	Part Number
20	Voltmeter	1	4LE56/6LE56
21	Nut	2	4LE57/6LE57
22	4 prong socket	1	4LE58/6LE58
23	Breaker bracket	1	4LE59/6LE59
24	Nut	2	4LE60/6LE60
25	Breaker	1	4LE61/6LE61
26	Wiring harness	1	4LE62/6LE62
27	Electrical box	1	4LE63/6LE63

Generator head assembly



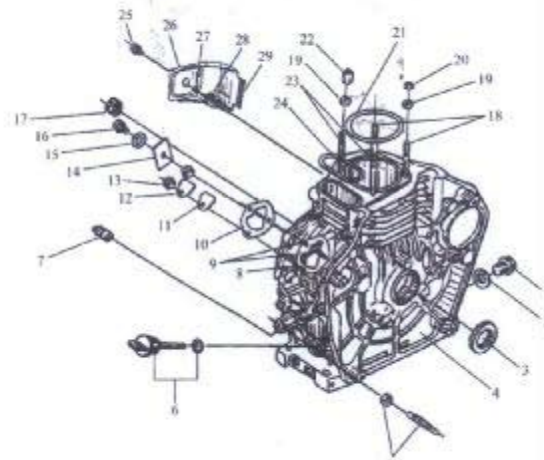
Number	Part Description	Quantity	Part Number
1	Front end cover	1	4LN64/6LN64
2	Diode	2	4LN65/6LN65
3	M4 × 8 Bolt	2	4LN66/6LN66
4	Fan Blade	1	4LN67/6LN67
5	Bearing	1	4LN68/6LN68
6	Rotor Unit	1	4LN69/6LN69
7	Center bolt	1	4LN70/6LN70
8	Motor cover	1	4LN71/6LN71
9	Stator	1	4LN72/6LN72
10	Long bolt	4	4LN73/6LN73
11	Capacitor	1	4LN74/6LN74
12	Wiring Seat	1	4LN75/6LN75
13	M5 × 15 Bolt	6	4LN76/6LN76
14	Stator Unit	1	4LN77/6LN77
15	Dust Cover	1	4LN78/6LN78

Fuel system components



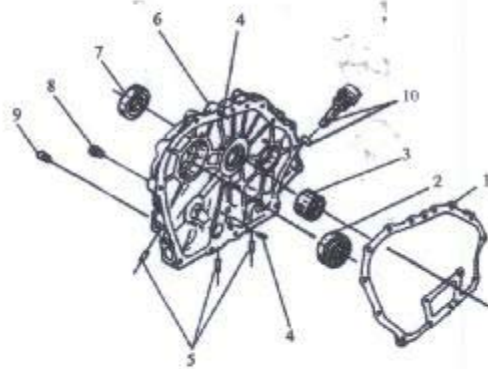
Number	Part Description	Quantity	Part Number
1	Fuel Cap	1	4LN79/6LN79
2	Seal	1	4LN80/6LN80
3	Filtering cup	1	4LN81/6LN81
4	M5 × 10 screw	2	4LN82/6LN82
5	Fuel lever indicator	1	4LN83/6LN83
6	M6 × 25 Bolt	4	4LN84/6LN84
7	Large flat washer 6	4	4LN85/6LN85
8	Fuel tank lining	4	4LN86/6LN86
9	Shock absorbing gasket	4	4LN87/6LN87
10	Fuel tank	1	4LN88/6LN88
11	M6 Nut	4	4LN89/6LN89
12	O ring seal	1	4LN90/6LN90
13	Fuel tank filter	1	4LN91/6LN91
14	O ring gasket	1	4LN92/6LN92
15	Fuel filter cover	1	4LN93/6LN93
16	Cover	1	4LN94/6LN94
17	Wing nut	1	4LN95/6LN95
18	Fuel line	2	4LN96/6LN96
19	Fuel inlet pipe	1	4LN97/6LN97
20	High pressure fuel pump	1	4LN98/6LN98
21	High pressure fuel pipe	1	4LN99/6LN99
22	Fuel injector	1	4LN100/6LN100
23	Overfill tube	2	4LN101/6LN101
24	Fuel overfill pipe	1	4LN102/6LN102

CYLINDER BLOCK ASSEMBLY



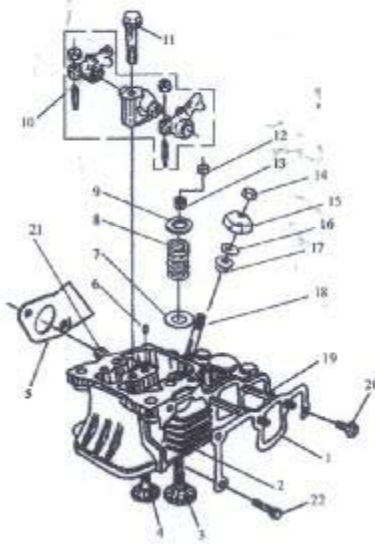
	CODE	DESCRIPTION	QTY.
1	17001001	Drain plug	1
2	17001002	Oil plug seal assem	1
3	YF355008	Oil seal SG35×50×8	1
4	18601004	Cylinder block	1
5	17001005	Fuel controller assem	1
6	17801100	Oil filler cap assy	1
7	ZC794108	Needle bearing 7941/8	2
8	17001008	Stud plate (short)	1
9	17001009	Stud plate (long)	2
10	17001010	Fuel injection pump gasket	When necessary
11	17001011	Seal gasket	1
12	17001012	Seal plate	1
13	LMB00006	Nut M6	2
14	17001014	Retainer	1
15	PD000008	Washer	1
16	LMD08012	Bolt M8×12	1
17	ZC379415	Needle bearing 37941/15	1
18	18601018	Cylinder head stud (short)	2
19	18601019	Cylinder head washer	4
20	18601020	Cylinder head nut (short)	2
21	18601021	Cylinder head gasket	1
22	18601022	Cylinder head nut (long)	2
23	18601023	cylinder head stud (long)	2
24	18601024	Ring	1
25	LSB06014	Bolt M6×14	1
26	18601026	Air gover	1
27	17801027	Air gover collar	1
28	17801028	Shock absorber	1
29	17801029	Shock absorber seat	1

CYLINDER BLOCK COVER ASSEMBLY



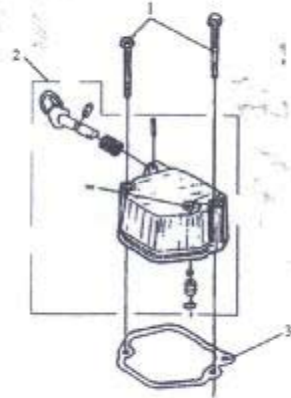
	CODE	DESCRIPTION	QTY.
1	18602001	Crankcase gasket	1
2	ZC006207	Bearing 6207	1
3	18602003	Main bearing	1
4	XA008012	Pin 8×12	2
5	17002005	Plunger 8	3
6	17802006	Crankcase cover	1
7	SG 355010	Oil seal SG 35×45×10	1
8	LSB08038	Bolt M8×38	16
9	17002009	Plug	1
10	17801100	Oil filler cap assy	1

CYLINDER HEAD ASSEMBLY



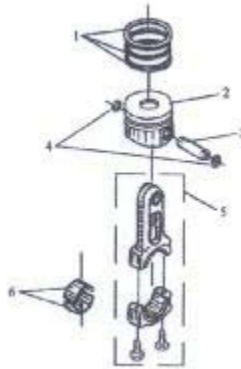
	CODE	DESCRIPTION	QTY.
1	18603001	Air intake gasket	1
2	18603002	Cylinder head	1
3	18603003	Intake valve	1
4	18603004	Exhaust valve	1
5	18603005	Silencer gasket	1
6	XA004008	Pin 4×8	1
7	18603007	Valve spring washer	2
8	18603008	Valve spring	2
9	18603009	Valve spring retainer	2
10	18603100	Rocker arm assy	1
11	18603011	Rocker arm bolt	1
12	18603012	Valve adjusting plate	2
13	18603013	Cotter	4
14	LMB00006	Nut M6	2
15	17003015	Nozzle retainer	1
16	17003016	Spacer washer	When necessary
17	17003017	Spacer	1
18	LZA06050	Stud AM6×50	2
19	LZA06075	Stud AM6×75	2
20	LSB06022	Bolt M6×22	1
21	LZ08020	Stud M8×20	2
22	LSB06028	Bolt M6×28	1

CYLINDER HEAD BONNET ASSEMBLY



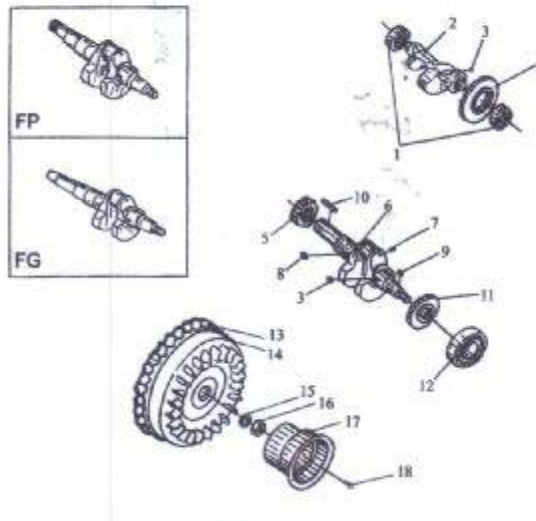
	CODE	DESCRIPTION	QTY.
1	LSB06075	Bolt M6×75	2
2	18604100	Cylinder head bonnet assy	1
3	18604003	Bonnet gasket	1

PISTON & CONNECTING ROD ASSEMBLY



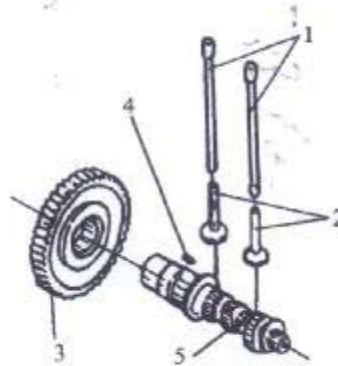
	CODE	DESCRIPTION	QTY.
1	18605100	Piston ring assy	1
2	18605002	Piston	1
3	18605003	Piston pin	1
4	18605004	Piston pin circlip	2
5	18605200	Connect rod assy	1
6	18605006	Crank pin bearing	2

CRANK SHAFT & FLYWHEEL ASSEMBLY



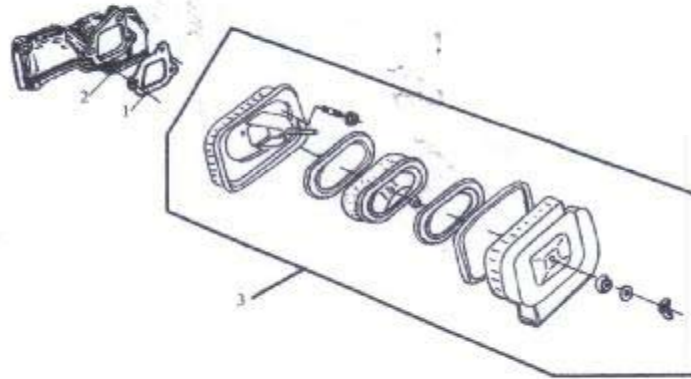
	CODE	DESCRIPTION	QTY.
1	ZC006203	Bearing 6203	2
2	18606002	Balancer shaft	1
3	PJ005007	Key 5×7	2
4	18606004	Balancer gear	1
5	18606005	Crank shaft timing gear	1
6	18606006	Crank shaft	1
7	17006007	Plunger Φ6	1
8	PJ005012	Key 5×12	1
9	PJ005014	Key 5×14	1
10	18606010	Key	1
11	18606011	Balancer gear	1
12	ZC006308	Bearing 6308	1
13	18606013	Flywheel gear	1
14	18606014	Flywheel	1
15	18606015	Flywheel nut washer	1
16	18606016	Flywheel nut	1
17	18606017	Starter pulley	1
18	LSB06012	Bolt M6×12	4

CAMSHAFT ASSEMBLY



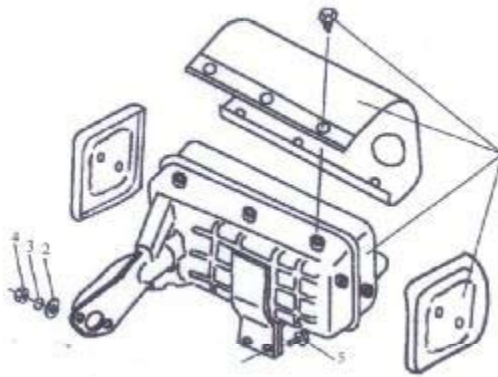
	CODE	DESCRIPTION	QTY.
1	18607001	Valve rod assem	2
2	18607002	Valve tappet	2
3	18607003	Camshaft timing gear	1
4	PJ005014	Key 5×14	1
5	18607005	Camshaft	1

AIR CLEANER ASSEMBLY



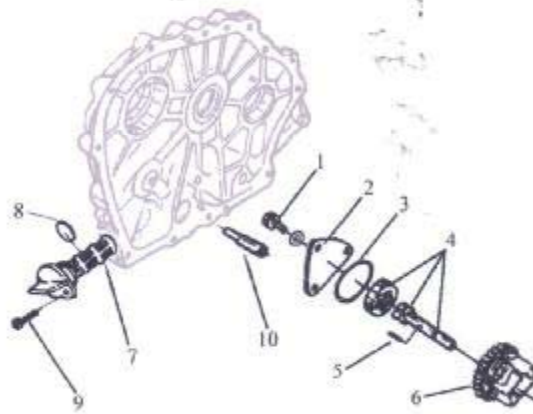
	CODE	DESCRIPTION	QTY.
1	18608001	Air cleaner gas ket	1
2	18608002	Intake pipe	1
3	18608100	Air cleaner assy	1

SILENCER ASSEMBLY



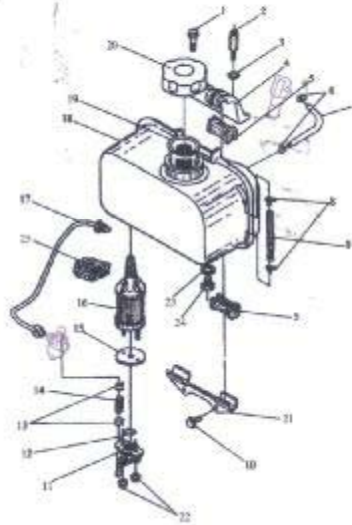
	CODE	DESCRIPTION	QTY.
1	18609100	Silencer	1
2	PD000008	Washer Φ8	2
3	TD000008	Washer Φ8	2
4	LMA00008	Nut M8	2
5	LSB08012	Bolt M8×12	2

LUBE OIL SYSTEM



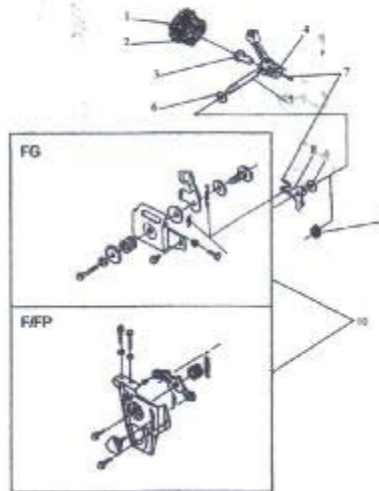
	CODE	DESCRIPTION	QTY.
1	LSB06012	Bolt M6×12	3
2	17010002	Oil pump cover	1
3	17010003	O-ring 34,5×1,8	1
4	18610100	Oil pump assy	1
5	XA003016	Pin 3×16	1
6	17810006	Oil pump gear	1
7	17010007	Oil filter assem	1
8	17010008	O-ring 25×2,4	1
9	LSB06014	Bolt M6×14	1
10	17010010	Intake pipe	1

FUEL TANK & FUEL PIPE ASSEMBLY



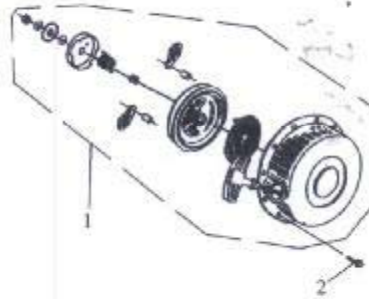
	CODE	DESCRIPTION	QTY.
1	LSB08045	Bolt M8×45	1
2	17011002	Upper stay bolt	1
3	PD000008	Washer Φ8	1
4	18611004	Upper stay	1
5	17011005	Damper	4
6	17011006	Clamp	2
7	17011007	Fuel return pipe	1
8	17011008	Clamp	1
9	17011009	Fuel level pipe	1
10	LSB06014	Bolt M6×14	2
11	17011011	Fuel tank cock assem	1
12	17011012	O-ring 13.2×1.8	1
13	17011013	Clamp	2
14	17011014	Fuel pipe	1
15	17011015	Fuel filter gasket	1
16	18611016	Filter element assem	1
17	18611017	Fuel injection pipe assem	1
18	18611018	Fuel tank welded assem	1
19	17011019	Fuel filter	1
20	17011020	Fuel tank cap assem	1
21	17011021	Lower stay assem	1
22	LMB00006	Nut M6	2
23	17011023	Fuel tank oil plug seal assem	1
24	17011024	Bolt M12×12	1
25	18611025	Fuel injection pipe damper	1

GOVERNOR & CONTROL SYSTEM



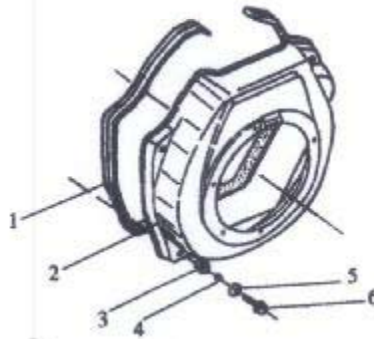
	CODE	DESCRIPTION	QTY.
1	17012001	Fly block pin	2
2	17012002	Fly block	2
3	17012003	Tappet	1
4	18612004	Level fork	1
5	17012005	Level shaft	1
6	17012006	Governor level washer	1
7	XA003022	Pin 3×22	2
8	17012008	Governor level welded part	1
9	YF261408	Seal 2.6×14×8	1
10	18612100	Control handle assy	1

RECOIL STARTER ASSEMBLY



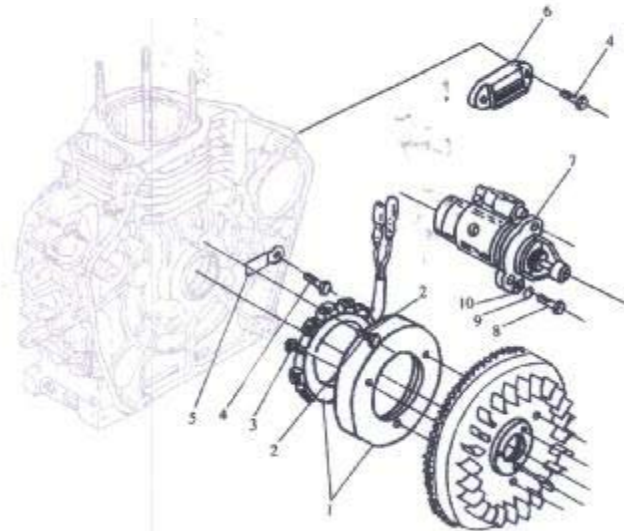
	CODE	DESCRIPTION	QTY.
1	18615001	Recoil starter assembly	1
2	LSB06008	Bolt M6×8	4

COOLING DEVICE ASSEMBLY



	CODE	DESCRIPTION	QTY.
1	18616001	Shock absorber seat	1
2	18616002	Fan case welded assem	1
3	17016003	Shock absorber	4
4	17016004	Collar	4
5	PD000006	Washer	4
6	LSH06022	Bolt M6×22	4

STARTER & GENERATOR ASSEMBLY



	CODE	DESCRIPTION	QTY.
1	17017001	Flywheel generator	1
2	LSA06020	Bolt M6×20	3
3	LSA06012	Bolt M6×12	3
4	LDA06008	Bolt M6×8	3
5	17017005	Clamp	1
6	17017006	Regulator	1
7	17017007	Starting Motor	1
8	LSA10035	Bolt M10×35	2
9	PD000010	Washer 10	2
10	TD000010	Washer 10	2



1-877-270-7772
6226 Danville Road
Mississauga, ON, L5T 2H7