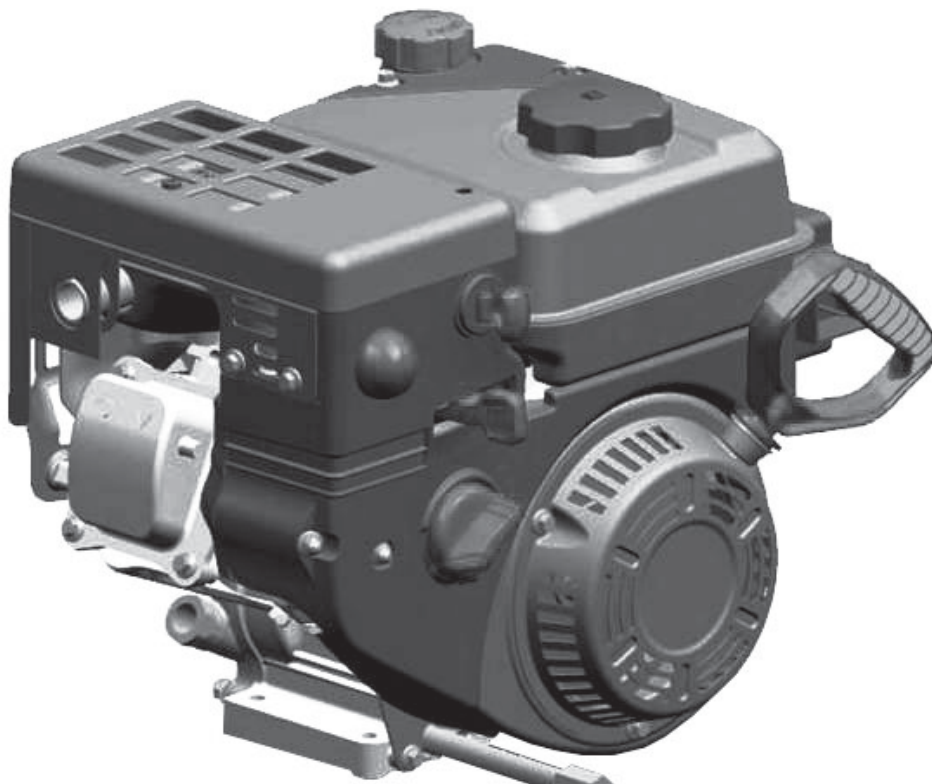


GSE5230STG

Engine Parts Manual and Diagram



GSE5230STG - Engine Parts

No.	Part No.	Description	Qty
1	B057890006001670B	BOLT, M6×14	1
2	18002-QD03-0000	MUFFLER SHIELD	1
3	B057890006001270B	BOLT M6×12	8
4	2461N-LC90-0000	THROTTLE CONTROL KNOB	1
5	16155-QD03-0000	CONTROL PANEL	1
6	72381-LC90-0000	KEY SWITCH BASE	1
7	72382-LC90-0000	KEY	1
8	72380-LC90-0000	KEY SWITCH	1
9	24633-QD03-0000	CHOKE KNOB	1
10	B057890006001070H	BOLT M6×10	3
11	18016-QD03-0000	EXHAUST PIPE SHIELD	1
12	61179-QD03-0000	CARB ISOLATOR BRACKET	1
13	B057890006001670B	BOLT M6×16	1
14	18000-QD03-0000	MUFFLER ASSEMBLY	1
15	B061770108000060B	NUT, M8	2
16	1800J-QD03-0000	BOLT	4
17	61120-LC90-0001	FUEL CAP ASSEMBLY	1
18	61130-LC90-0000	FILTER, FUEL	1
19	B057890008002070B	BOLT M8×20	4
20	61175-QD03-0000	RUBBER SHOCK PAD I, GAS TANK	2
21	61176-QD03-0000	BUSH I, GAS TANK	2
22	61177-QD03-0000	RUBBER SHOCK PAD II, GAS TANK	2
23	61178-QD03-0000	BUSH II, GAS TANK	2
24	61100-QD03-0000	FUEL TANK ASSEMBLY	1
25	61173-QD03-0000	LEFT TRIM PLATE	1
26	82258-QD03-0000	REAR MAINTING BRACKET ASSY.	1
27	61174-QD03-0000	RIGHT TRIM PLATE	1
28	B057890006001670B	BOLT M6×16	4
29	61181-QD03-0000	BUSH	4
30	61182-QD03-0000	RUBBER SHOCK PAD	4
31	T2999406300125290	FUEL HOSE	1
32	17020-JC79-0200	FUEL HOSE CLAMP	2
33	B057890008001470B	BOLT M8×14	4
34	6112G-QD03-0000	HOOK	1
35	61172-QD03-0000	FRONT MAINTING BRACKET ASSY.	1
36	B061770108000060B	NUT M8	1
37	B061770106000060B-1	NUT M6	1
38	91121-1060-02120B	GOVERNOR ARM BOLT	1
39	24607-QD03-0000	GOVERNOR ARM	1
40	24602-QD03-0000	GOVERNOR SPRING	1
41	24603-MB30-0000	THROTTLE LINKAGE SPRING	1
42	24604-PB52-0000	THROTTLE LINKAGE	1
43	24610-QD03-0000	PRIMER BRACKET	1
44	B057890006001470B	BOLT, M6×14	1
45	13220-QD03-0000	CONNECTING ROD ASSEMBLY	1
46	13101-PC83-0000	PISTON	1

GSE5230STG - Engine Parts

No.	Part No.	Description	Qty
47	13105-PB52-0000	PISTON PIN SNAP RING	2
48	13102-PC83-0000	PISTON PIN	1
49	1310A-PC83-0000	PISTON RING SET	1
50	B008180004005500B	BOLT M4×55	2
51	82230-QD03-0200	STARTUP ELECTROMOTOR	1
52	B057870008005570B	BOLT M8×55	2
53	24620-PB52-0000	GOVERNOR GEAR/SHAFT ASSEMBLY	1
54	92102-00000006202-P6	RADIAL BALL BEARING, 6202-P6	2
55	91306-90800820X0E	WASHER $\phi 8 \times \phi 20 \times 0.8$	1
56	24606-MB30-0000	COTTER PIN	1
57	T1101008001400400	GOVERNOR SEAL	1
58	24605-PB52-0000	GOVERNOR ARM SHAFT	1
59	13230-PC83-7100	CRANKSHAFT ASSEMBLY	1
60	91601-IB84-0000	WOODRUFF KEY	1
61	13300-PB52-0000	BALANCEABLE SHAFT ASSY.	1
62	92102-00000006207-P6	BEARING, 6207-P6	1
63	91521-09001200000	DOWEL PIN $\phi 9 \times 12$	1
64	91521-07001400000	DOWEL PIN $\phi 7 \times 14$	1
65	15100-QD03-0000	CAMSHAFT ASSY.	1
66	90208-QD03-0000	CRANKCASE COVER GASKET	1
67	91306-91600324X0E	WASHER $\phi 16 \times \phi 24 \times 0.5$	1
68	90101-10160000300	O-RING $\phi 16 \times 3$	2
69	14315-QD03-0000	OIL FILLER PLUG	2
70	12301-QD03-0000	COVER COMP, LEFT CRANKCASE	1
71	T1108035005200700	OIL SEAL, $\phi 30 \times \phi 46 \times 8$	1
72	B057890008003870B	BOLT M8×38	5
73	B057890008004570B	BOLT M8×45	1
74	B057890008003570B	BOLT M8×35	2
75	B057890006001670B	BOLT M6×16	1
76	17020-QD03-0000	DIPSTICK CLAMP	1
77	B057890006000870B	BOLT M6×8	1
78	90101-10158000150	OIL FILL TUBE O-RING	2
79	14313-QD03-0000	OIL FILL TUBE	1
80	14305-QD03-0000	DIPSTICK GUAGE	1
81	14303-LC90-0000	DIPSTICK COVER	1
82	14301-QD03-0000	DIPSTICK ASSEMBLY	1
83	12007-PC83-0400	CRANKCASE COMP.	1
84	T1101035005200700	OIL DRAIN PIPE ASSY.	1
85	12180-LC90-0100	WASHER $\phi 10 \times \phi 16 \times 1.5$	1
86	91302-91001516000	OIL DRAIN PLUG	1
87	91103-KB01-0000	OIL SEAL $\phi 30 \times \phi 46 \times 8$	1
88	81200-QD03-0000	IGNITION COIL ASSEMBLY	1
89	B057890006002870B	BOLT M6×28	2
90	82108-QD03-0100	COIL ASSY., CHARGE	1
91	B057890006003070B	BOLT M6×30	2
92	B057870006000870B	BOLT M6×8	1
93	82111-QD03-0000	WIRE PLATE	1
94	82150-QD03-0000	FLYWHEEL	1
95	19102-PB52-0300	FAN, COOLING	1
96	21520-QC84-0000	PULLEY, STARTER	1

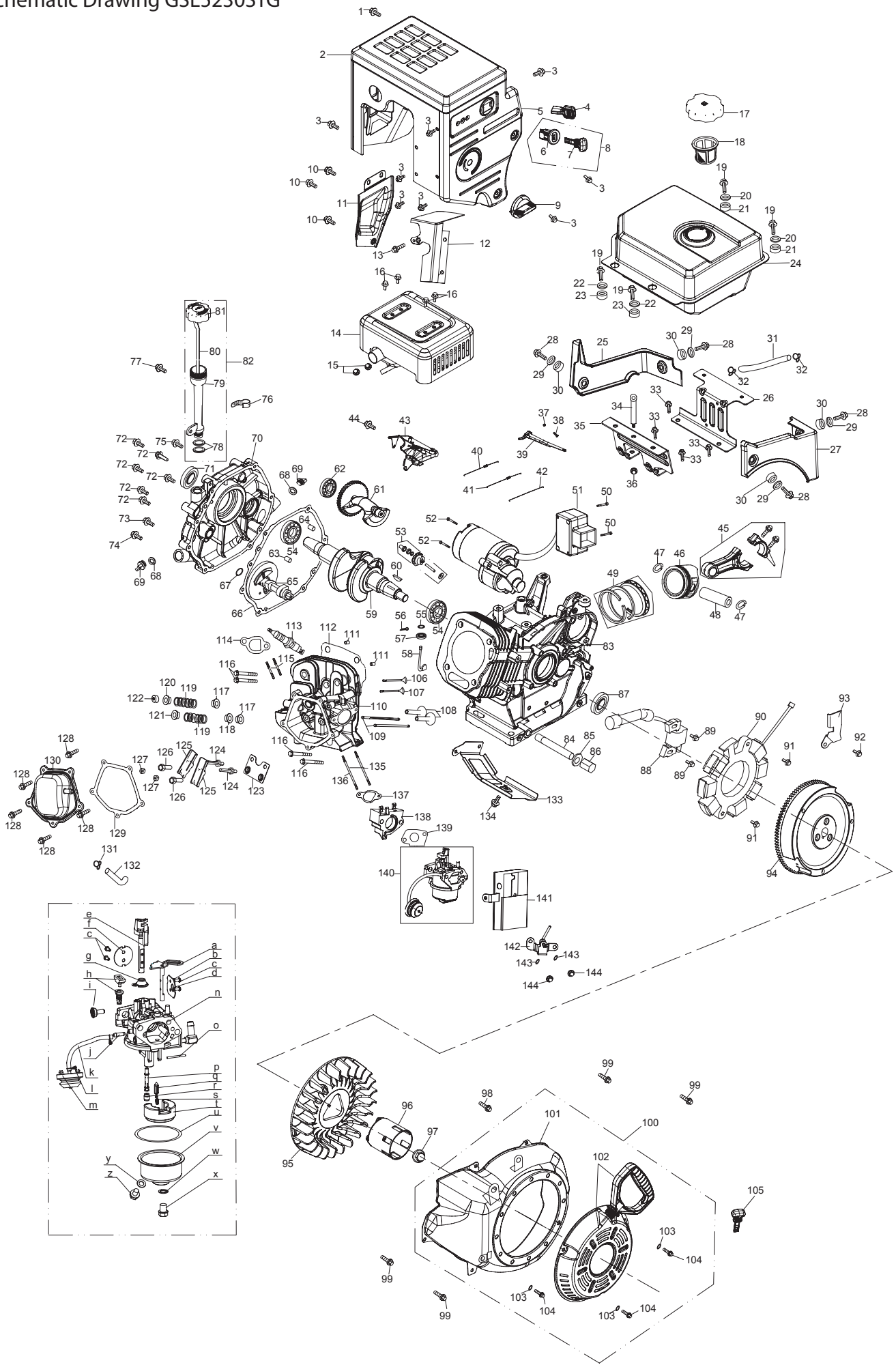
GSE5230STG - Engine Parts

No.	Part No.	Description	Qty
97	B061770116000060B	NUT, SPECIAL, M16×1.5	1
98	B057890006001670B	BOLT M6×16	1
99	B057890006001270B	BOLT M6×12	4
100	21500-QD03-0000	RECOIL STARTER ASSY.	1
101	21530-QD03-0000	BLOWER HOUSING	1
102	21510-QD03-0100	RECOIL STARTER	1
103	B000950006000000B	GASKET φ6	3
104	B166740106001070B	BOLT M6×10	3
105	72382-LC90-0000	KEY	1
106	15702-PB52-0000	EXHAUST VALVE	1
107	15701-PC83-0000	INTAKE VALVE	1
108	15002-QD03-0000	TAPPET	2
109	15321-QD03-0000	PUSH ROD	2
110	11220-PC83-0000	CYLINDER HEAD	1
111	91521-12002000000	DOWEL PIN φ12×20	2
112	9022B-PC83-0100	GASKET, CYLINDER HEAD	1
113	81300-KB01-0400	SPARK PLUG/F6RTC	1
114	18066-QD03-0000	EXHAUST PIPE GASKET	1
115	91138-MB30-0000	STUD M8×48.5	2
116	B057890E100087S0B	BOLT M10×1.25×87	4
117	1572B-MB30-0000	INTAKE VALVE SEAL	1
118	15705-MB30-0000	VALVE SPRING RETAINER	2
119	15703-MB30-0000	VALVE SPRING	2
120	15712-MB30-0000	RETAINER, EX. VALVE SPRING	1
121	15711-MB30-0000	RETAINER, IN. VALVE SPRING	1
122	15713-MB30-0000	ADJUSTER, EXH VALVE	1
123	15406-MB30-0000	PUSH ROD GUIDE	1
124	15415-MB30-0000	BOLT, PIVOT	2
125	15401-QD03-0000	ROCKER ARM	2
126	15403-KB01-0000	ADJUSTING NUT , VALVE	2
127	15414-KB01-0000	NUT, PIVOT LOCKING	2
128	1122Q-9999-0000	VALVE COVER BOLT	5
129	90229-QD03-0000	VALVE COVER GASKET	1
130	11221-QD03-0000	VALVE COVER	1
131	17020-QB60-0000	BREATHER HOSE CLAMP	1
132	12104-QD03-0000	BREATHER HOSE	1
133	19113-QD03-0000	AIR SHIELD	1
134	B057890006001270B	BOLT M6×12	1
135	91127-MB32-0000	STUD M6-8×98	1
136	91127-QD03-0000	STUD M6-8×118	1
137	17107-QD03-0000	CARBURETOR INSULATOR GASKET	1
138	17112-PC83-0000	CARBURETOR INSULATOR	1
139	17182-ND04-0000	CARBURETOR GASKET	1
140	17100-PC83-0000	CARBURETOR ASSEMBLY	1
141	16140-QD03-0000	HEATER BOX	1
142	24630-QD03-0000	CHOKE CONTROL	1
143	B000930006000000B	LOCK WASHER	2
144	B061770106000060B	NUT M6	2

GSE5230STG - Carburator Assembly

No.	Part No.	Description	Qty
a	17195-ND04-0000	CHOKE SHAFT	1
b	B000930003000000B	LOCK WASHER	4
c	B008220003000500B	SCREW M3×5	5
d	17167-PC83-0000	CHOKE PLATE	1
e	17192-MB30-0000	THROTTLE SHAFT	1
f	17166-PC83-0000	THROTTLE PLATE	1
g	17176-MB30-0000	LOCK PLATE	1
h	17151-PC83-0000	IDLE JET ASSEMBLY	1
i	17158-KB01-0000	IDLE SPEED ADJUSTING SCREW	1
j	17161-KB01-0000	MIXTURE SCREW	1
k	T2999903500650220	PRIMER HOSE	1
l	17020-IC77-0100	HOSE CLAMP	2
m	17140-IC77-0000	PRIMER ASSEMBLY	1
n	17185-PC83-0000	CARBURETOR BODY	1
o	17171-MB30-0000	FLOAT PIN	1
p	17168-PC83-0000	EMULSION TUBE	1
q	17170-MB30-0000	NEEDLE VALVE	1
r	17162-PC83-0000	MAIN JET	1
s	17191-MB30-0000	NEEDLE VALVE SPRING	1
t	17152-MB30-0000	FLOAT	1
u	17157-MB30-0000	FUEL BOWL GASKET	1
v	17153-MB30-0000	FUEL BOWL	1
w	17189-KB01-0000	FUEL BOWL GASKET	1
x	17159-KB01-0000	FUEL BOWL MOUNTING BOLT	1
y	17188-KB01-0000	FUEL DRAIN PLUG GASKET	1
z	17186-KB01-0000	FUEL DRAIN PLUG	1

Schematic Drawing GSE5230STG





1-877-270-7772
6226 Danville Road
Mississauga, ON, L5T 2H7